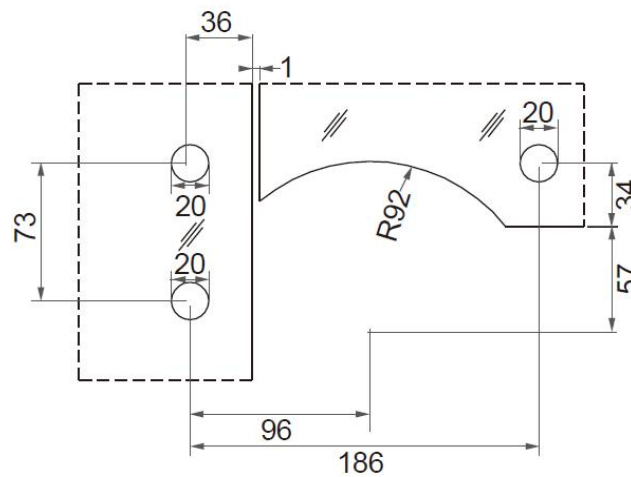
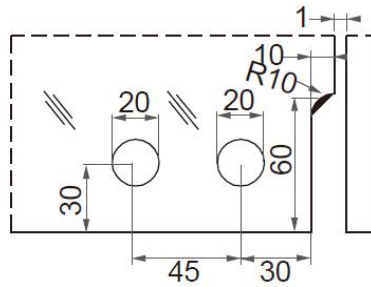


Ø Patch for Over Panel and Side Panel with Fin Fitting



Ø Suitable for:



10mm - 12mm



MAX 150kg



I T50R