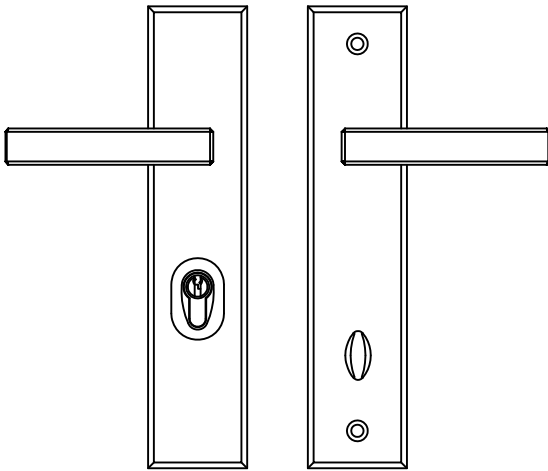
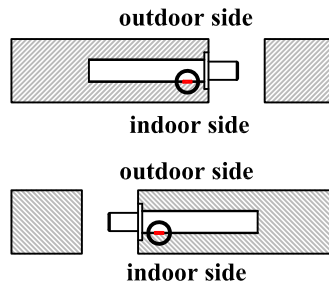
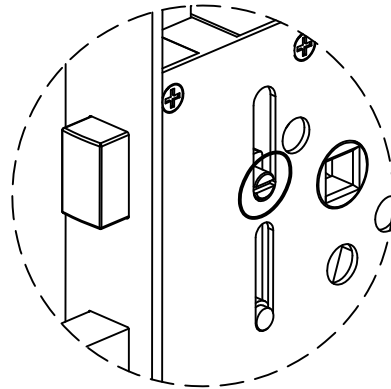




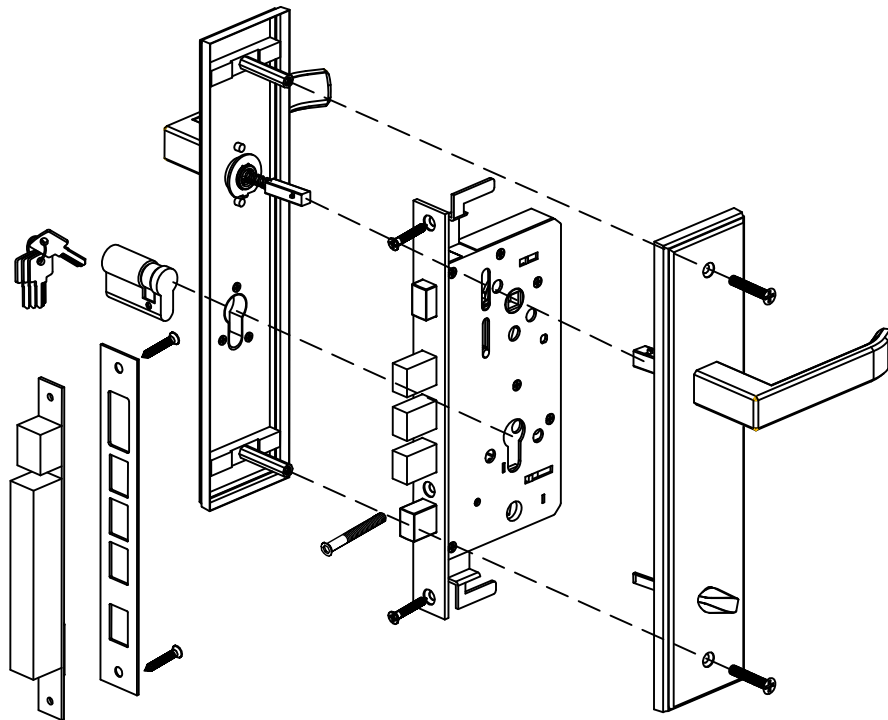
Non-handed design,
position screw always assembled at the indoor side.

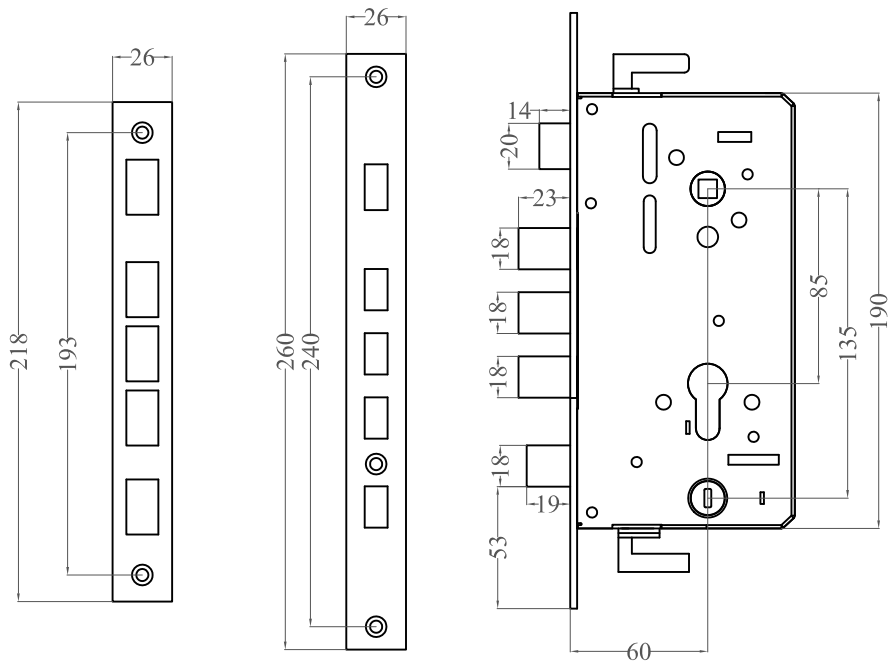


Integrated Multi-point Lock



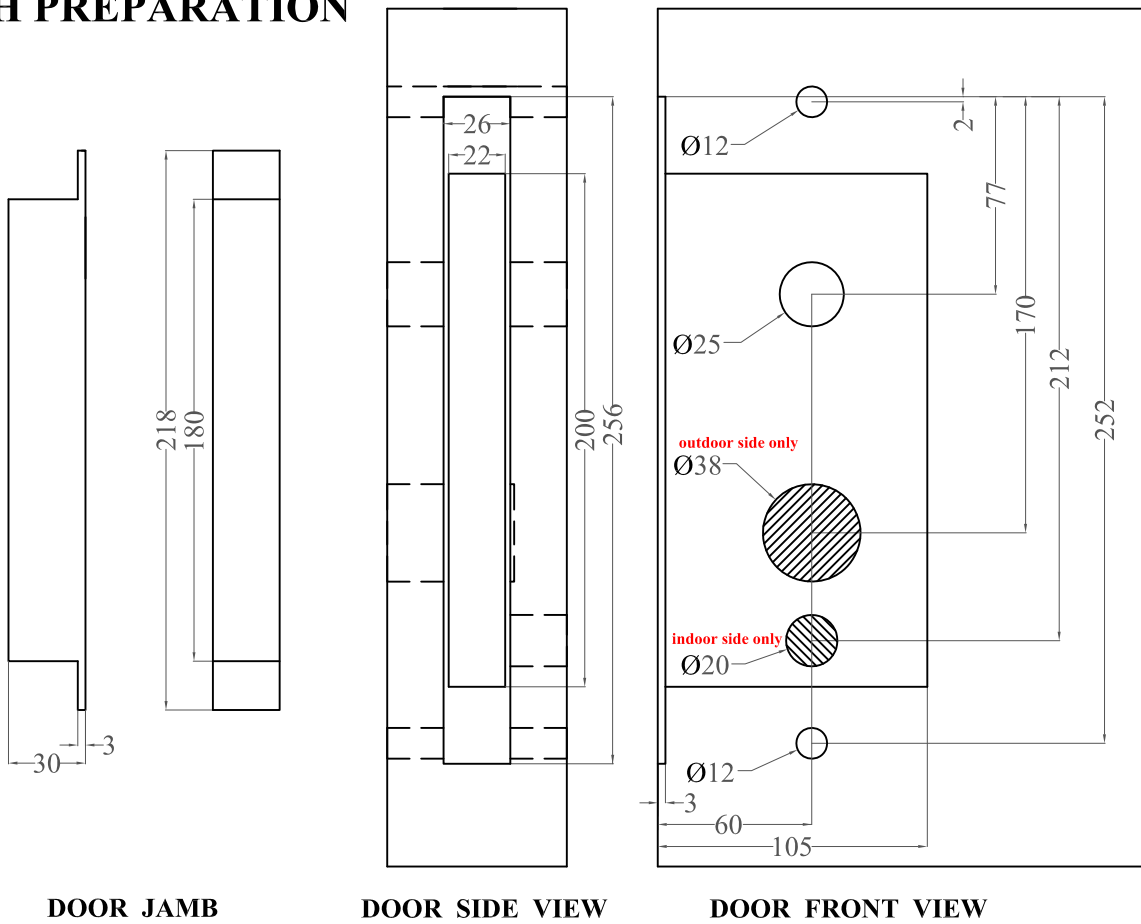
INSTALLATION GUIDE





unit: mm

NOTCH PREPARATION



DOOR JAMB

DOOR SIDE VIEW

DOOR FRONT VIEW