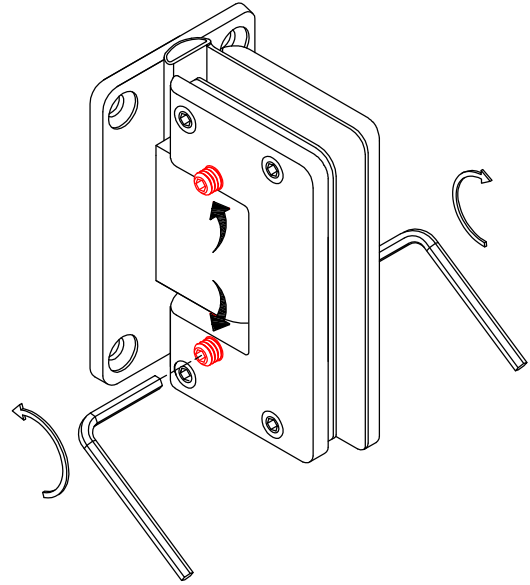
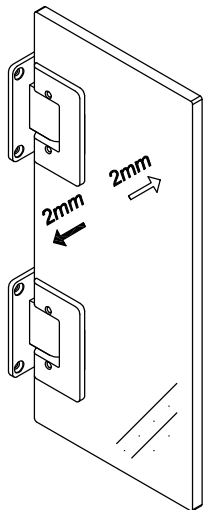


**NEO-DYNAMIC SHOWER HINGE**

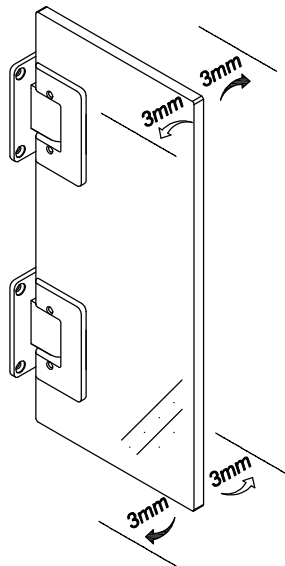


**PREPARATION**

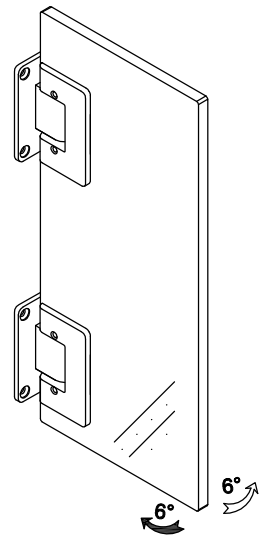
**NEO-DYNAMIC ADJUSTMENTS**



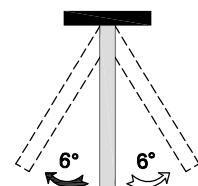
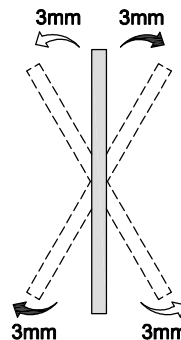
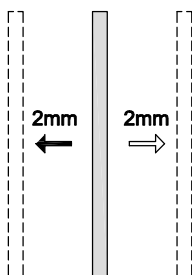
**LATERAL**



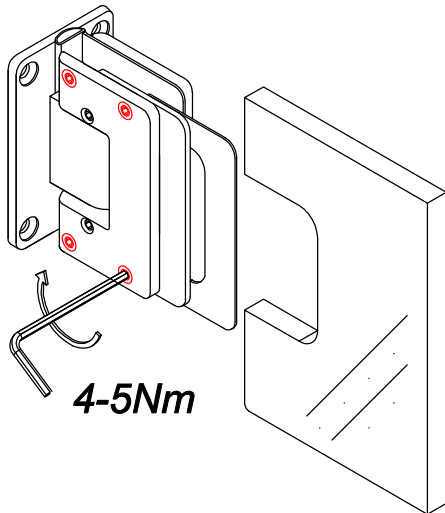
**TILTING**



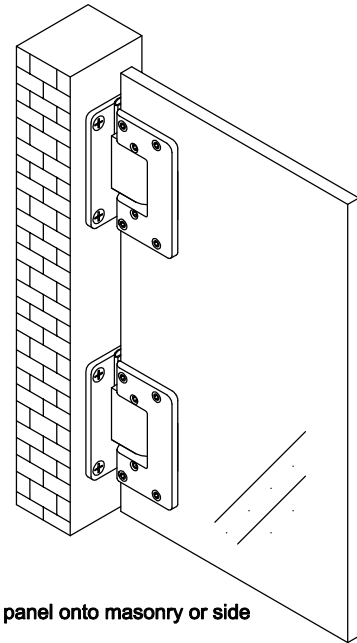
**ANGULAR**



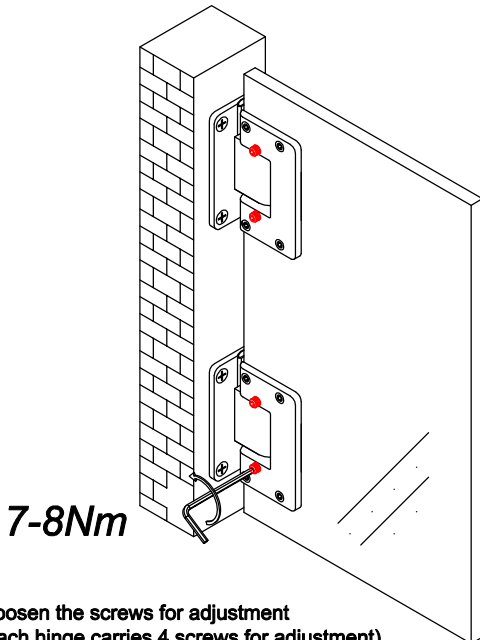
# INSTALLATION GUIDE



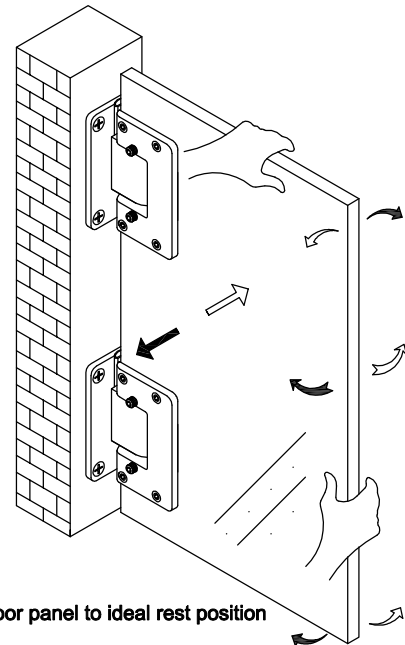
1. Fix the Neo-Dynamic shower hinge onto door panel by clamping screws (on one side only).



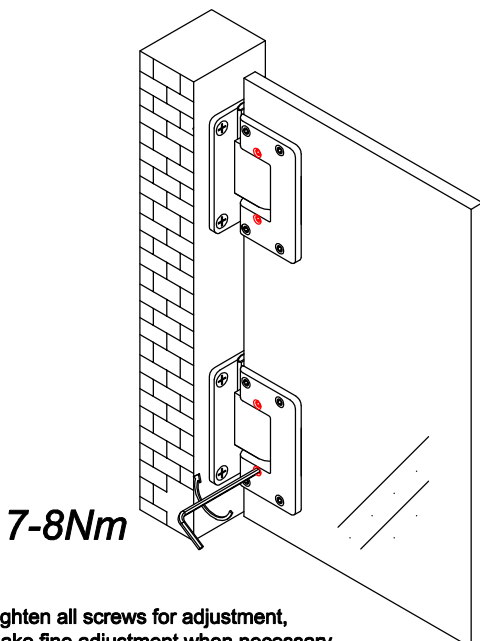
2. Mount the door panel onto masonry or side panel.



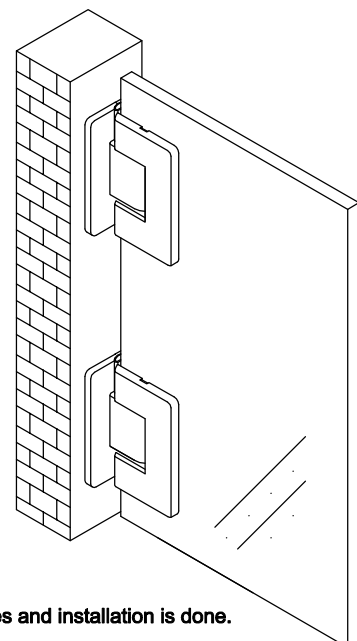
3. Loosen the screws for adjustment (each hinge carries 4 screws for adjustment).



4. Regulate the door panel to ideal rest position and alignment.

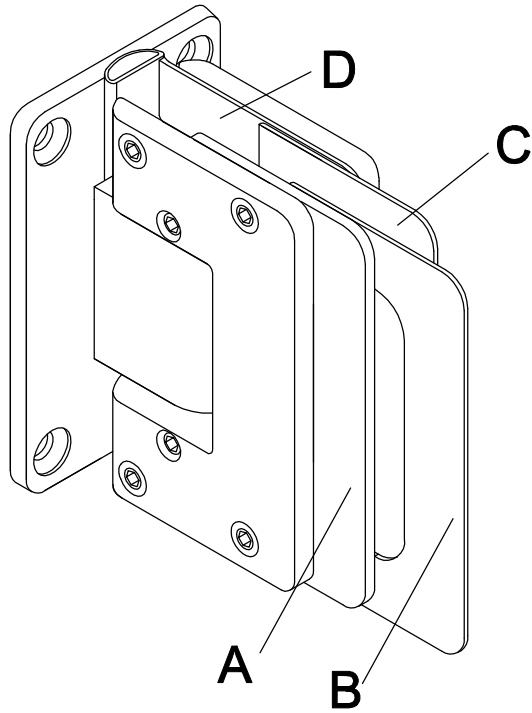


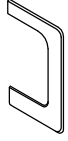

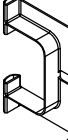
5. Tighten all screws for adjustment, make fine adjustment when necessary.

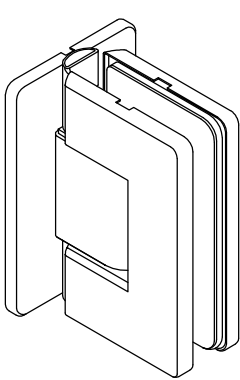


6. Add cover plates and installation is done.

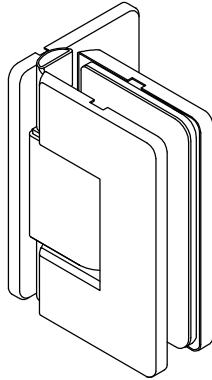
# APPLICATION OF GASKETS



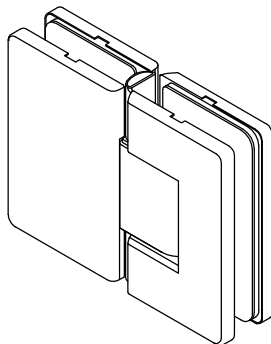
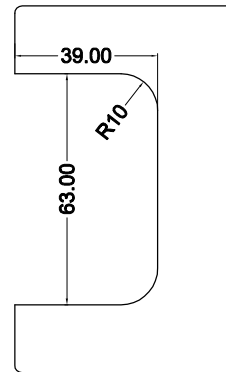
GASKET		THICKNESS OF GLASS	
STYLE	POSITION	8mm	10mm
 2.5	A	1	1
 1.0	B	1	1
	C	1	0
 1.0	D	1	1



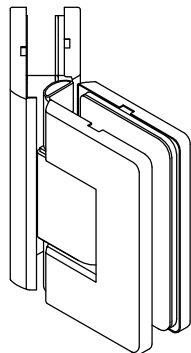
ND012-90°



ND012B-90°



ND021-180°



ND009-135°

