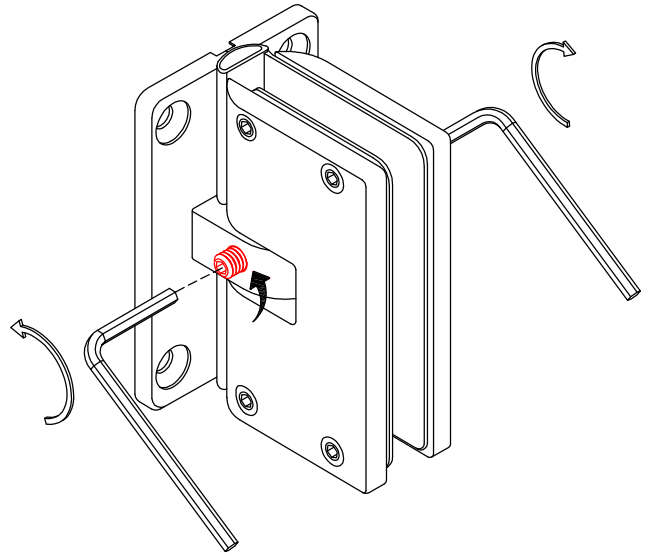
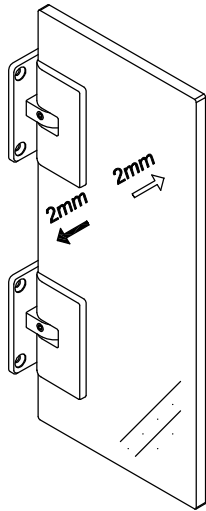


NEO-DYNAMIC SHOWER HINGE

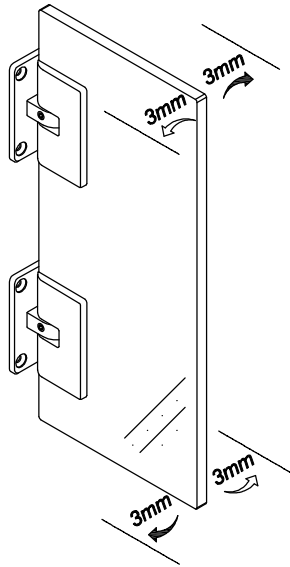


PREPARATION

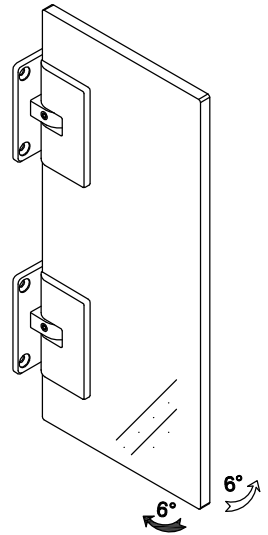
NEO-DYNAMIC ADJUSTMENTS



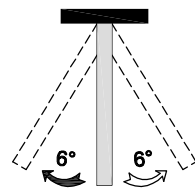
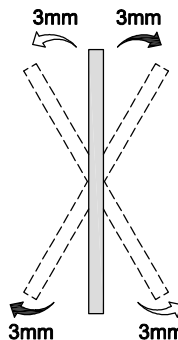
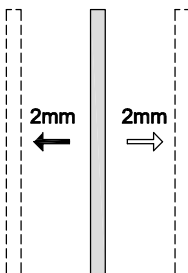
LATERAL



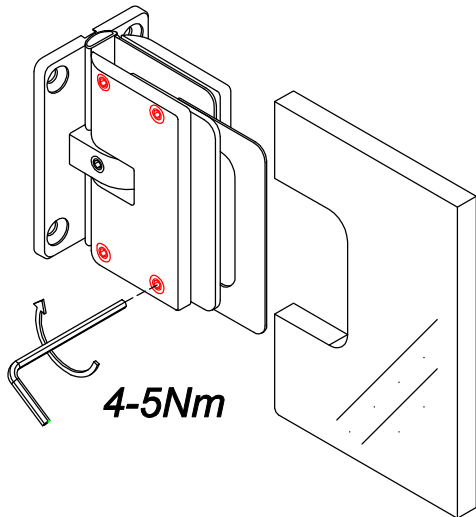
TILTING



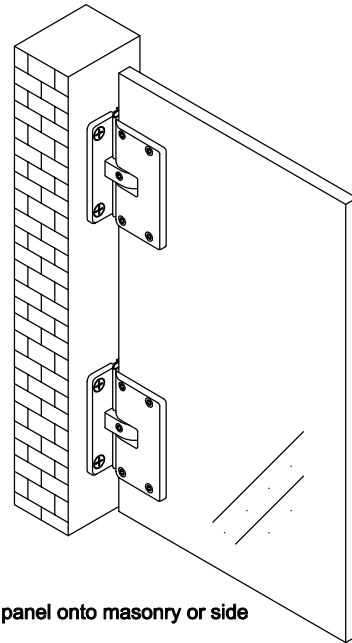
ANGULAR



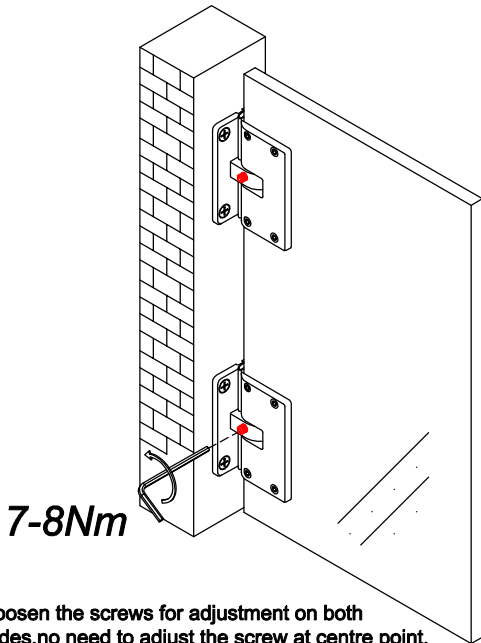
INSTALLATION GUIDE



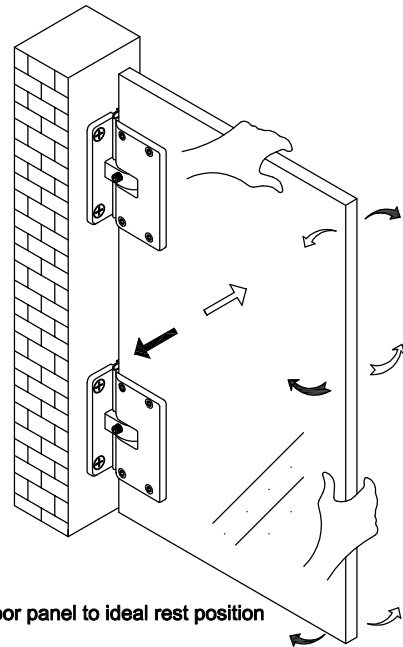
1. Fix the Neo-Dynamic shower hinge onto door panel by clamping screws (on one side only).



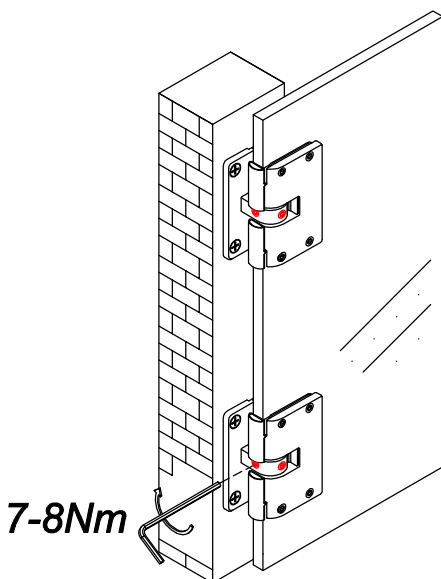
2. Mount the door panel onto masonry or side panel.



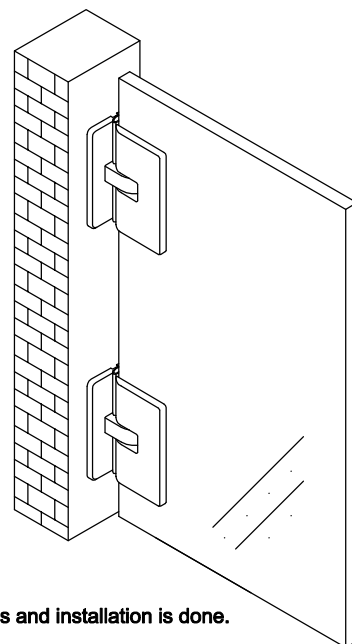
3. Loosen the screws for adjustment on both sides, no need to adjust the screw at centre point.



4. Regulate the door panel to ideal rest position and alignment.

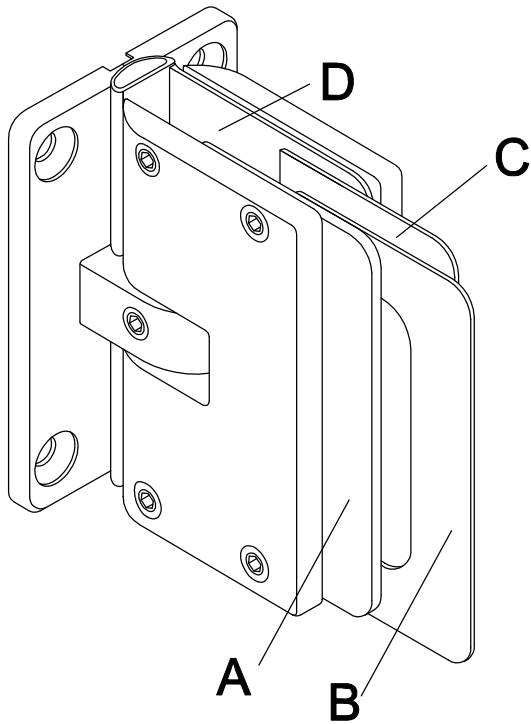


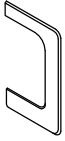


5. Tighten all screws for adjustment, including the screw at centre point. Make fine adjustment when necessary.

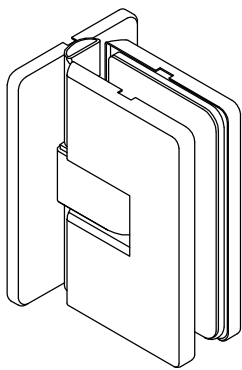


6. Add cover plates and installation is done.

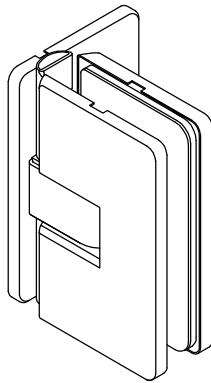
APPLICATION OF GASKETS



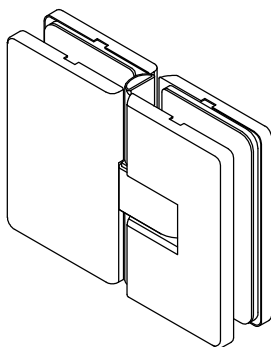
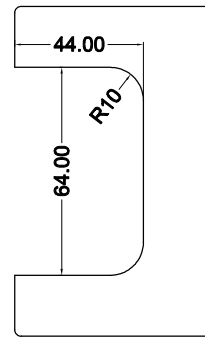
GASKET		THICKNESS OF GLASS	
STYLE	POSITION	8mm	10mm
 2.5	A	1	1
 1.0	B	1	1
	C	1	0
 1.0	D	1	1



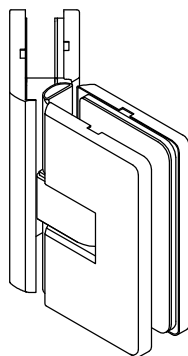
ND601



ND602



ND603



ND604

