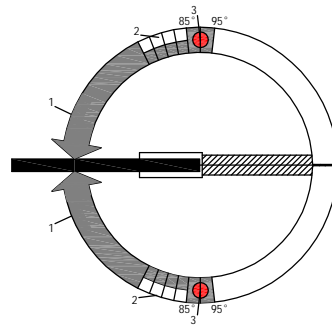


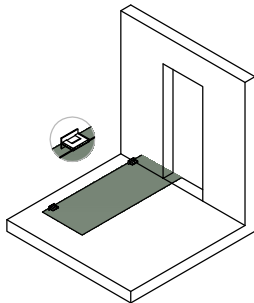
## APPLAUSE GLASS HINGE

**Note:**

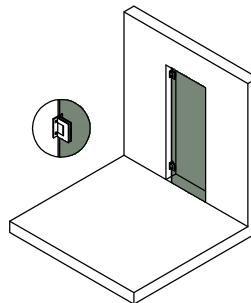
Each pair of Applause Glass Hinge consists of one damping hinge and one closing hinge, only damping hinge is adjustable at closing speed. To ensure the best performance, Damping Hinge should always be installed below the Closing Hinge.



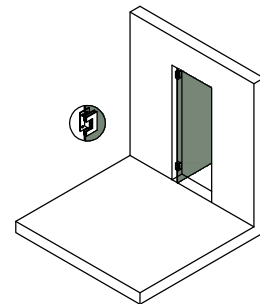
1. Closing range: 65°-0° (adjustable)
2. Closing range: 85°-65° (non-adjustable)
3. Hold-open: 90° (optional)



**Step 1:**  
Fix the hinge onto the glass door.

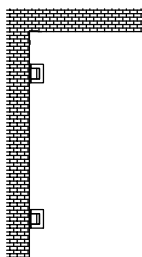


**Step 2:**  
Fix the hinge mounted glass door onto masonry or sidepanel.

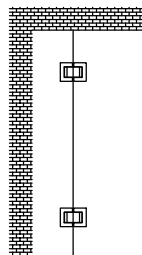


**Step 3:**  
Open the door and adjust the closing speed by adjustable valve.

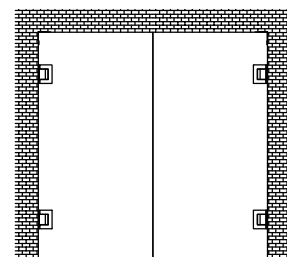
**Precaution:** Be careful not to loosen off the adjustment screw too far as this will render the hinge inoperable. Warranties will also be void if screw is loosened too far.



Wall to Glass Fixing  
Single Leaf Operation

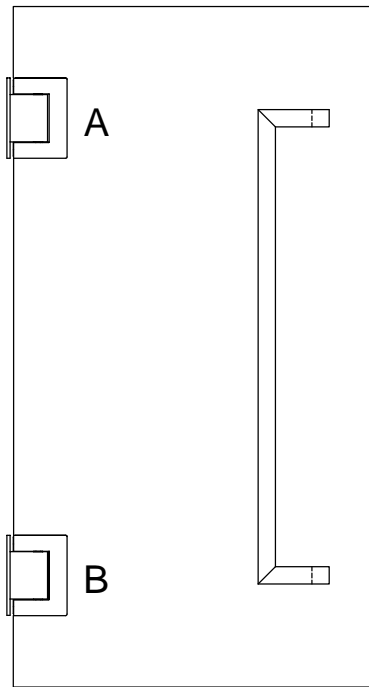


Glass to Glass Fixing  
Single Leaf Operation



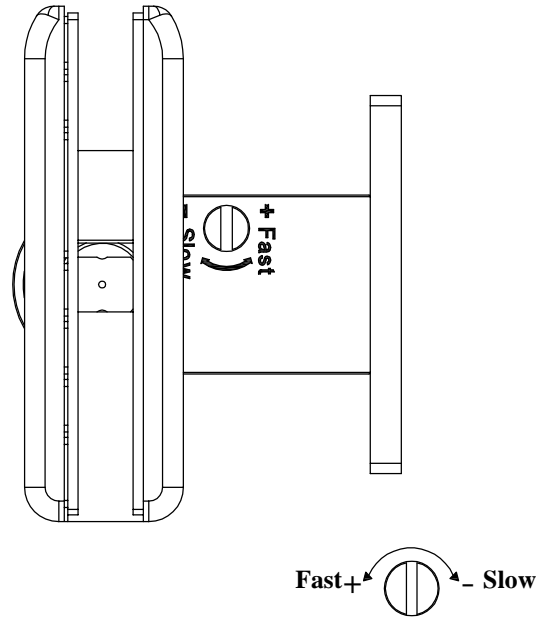
Wall to Glass Fixing  
Double Leaf Operation

Installation positions of hinges

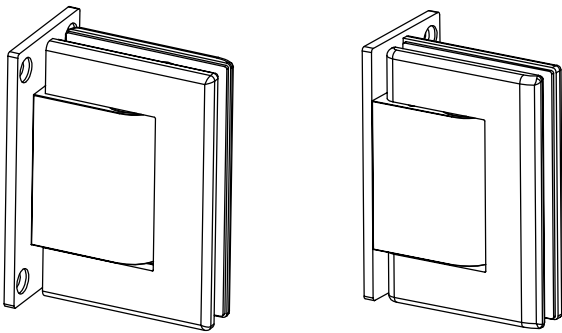


Hinge A: Closing Hinge  
Hinge B: Damping Hinge (with retaining block)

Adjustment of closing speed - damping hinge (Hinge B)

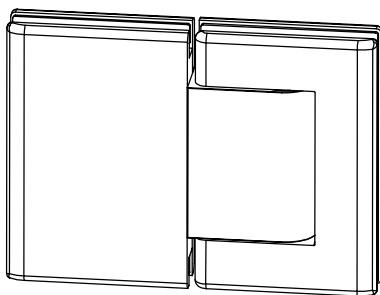
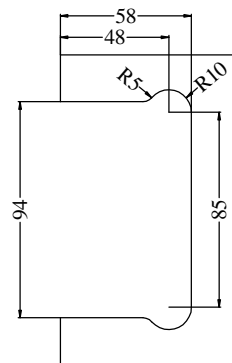


Please remove the plastic retaining block after mounting the door onto masonry or sidepanel.



TJ201

TJ202



TJ203

