

Model: TJ108E.100



Product **APPLAUSE Floor Hinge (with damping function)**

产品名称 太极芯地弹簧（带缓冲功能）

Material **Steel**

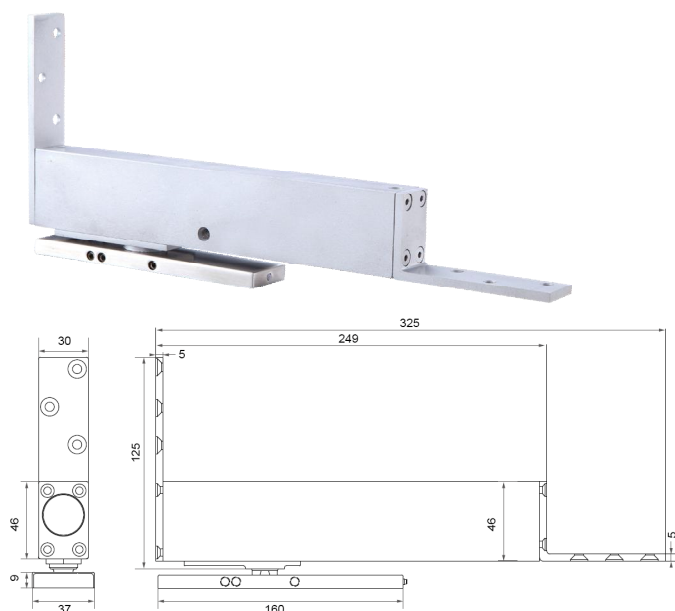
物料 钢

Finish **Enamel Baked**

表面处理 烤漆

Country of Origin **People's Republic of China**

原产地 中华人民共和国



Unit : piece
单位 : 件

Features

Floor mounted by surface fixing (non-excavating)

Reduce time and cost taken by installation

Suitable for wooden door with thickness 40mm & up

Maximum door leaf weight: 100kg

Maximum door leaf width: 1050mm

Self-closing when door is closed to 85°

Double action, maximum door open angle: 125°

Hold-open at door open angle 90°-125°

Valve adjustment available for closing speed control

Self-positioned when door reaches to initial position

产品描述

地平线上安装 (免开挖)

节省安装时间及安装成本

适用于40mm以上门厚之木门

最大承重为100kg

最大门扇阔度为1050mm

当门扇关至85°，门扇自动关闭

双向运作，最大开门角度为125°

门扇于90°至125°时支持定位功能

设有调节阀门按需要调校闭门速度

门扇关至0°时，自动定位

BESTKO BEST TO YOU

url: www.bestko.com