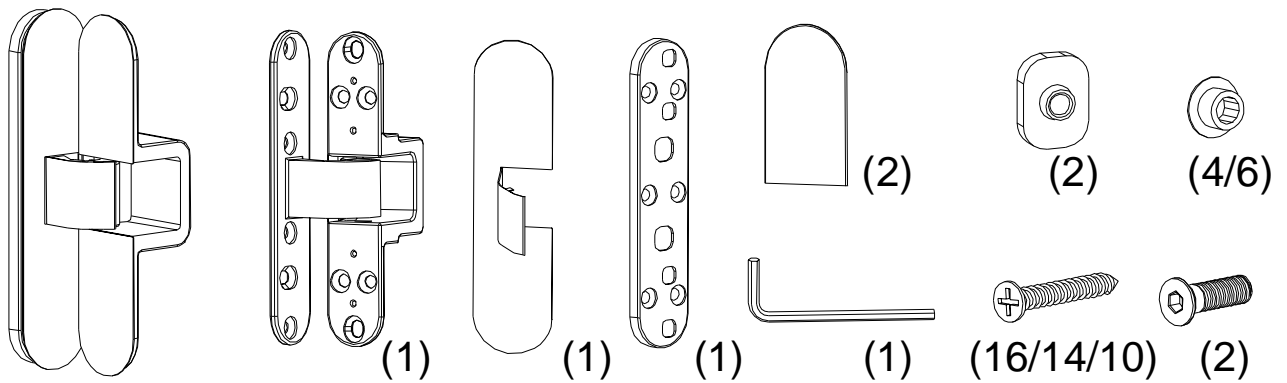


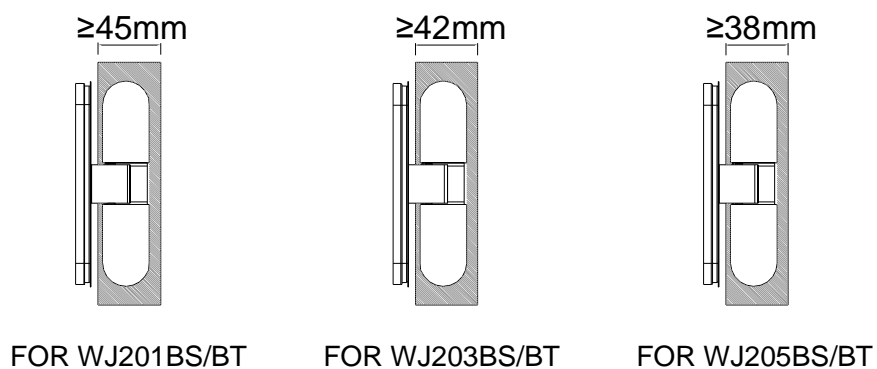
**VANISHED HINGE
(ADJUSTABLE)**

| Model | Loading | Hold-open |
|---------|---------|-----------|
| WJ201BS | 160kg | 95° |
| WJ201BT | 160kg | N/A |
| WJ203BS | 120kg | 95° |
| WJ203BT | 120kg | N/A |
| WJ205BS | 60kg | 95° |
| WJ205BT | 60kg | N/A |

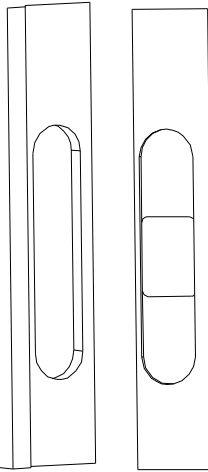
Bill of Material



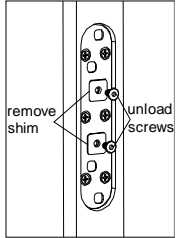
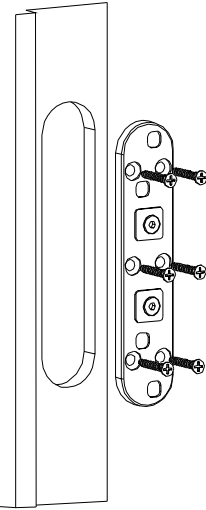
Door Thickness



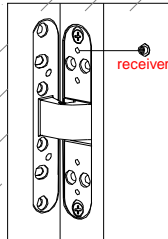
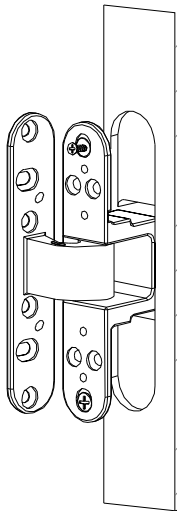
Installation Guide



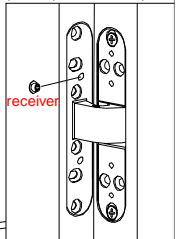
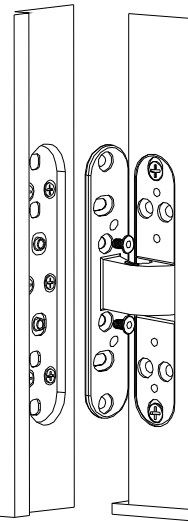
1. Prepare notches according to the template provided.



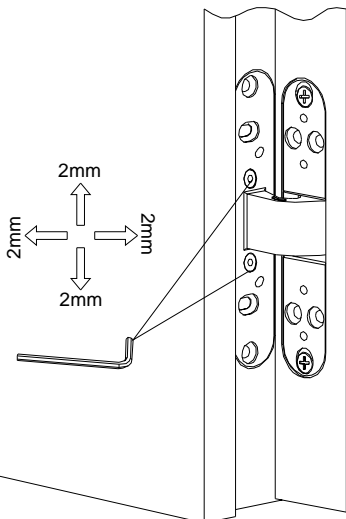
2. Install the base seat onto door jamb by wood screws, unload the machinery screws for next steps use.



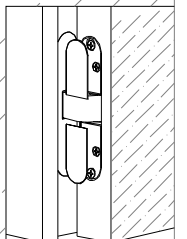
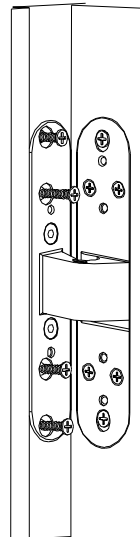
3. Fix the hinges onto door leaf by wood screws to oval holes only (ensure plastic receivers had been fixed properly).



4. Lift up the door leaf and open to 90°, mount the hinges onto door jamb by machinery screws (ensure plastic receivers had been fixed properly).



5. Loosen all machinery screws slightly, adjust the alignment on both door side and jamb side. Tighten all screws when alignment is ensured.



6. After testing the door for smooth operation, fix the rest of wood screws and cover plates properly, and installation is done.