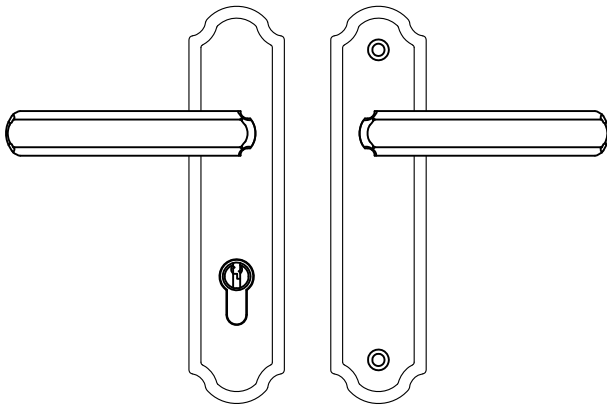
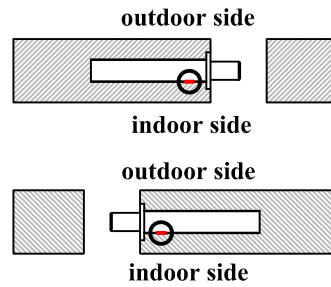
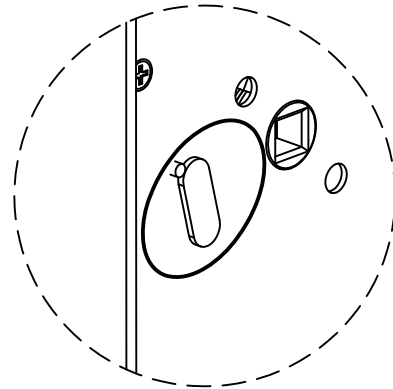




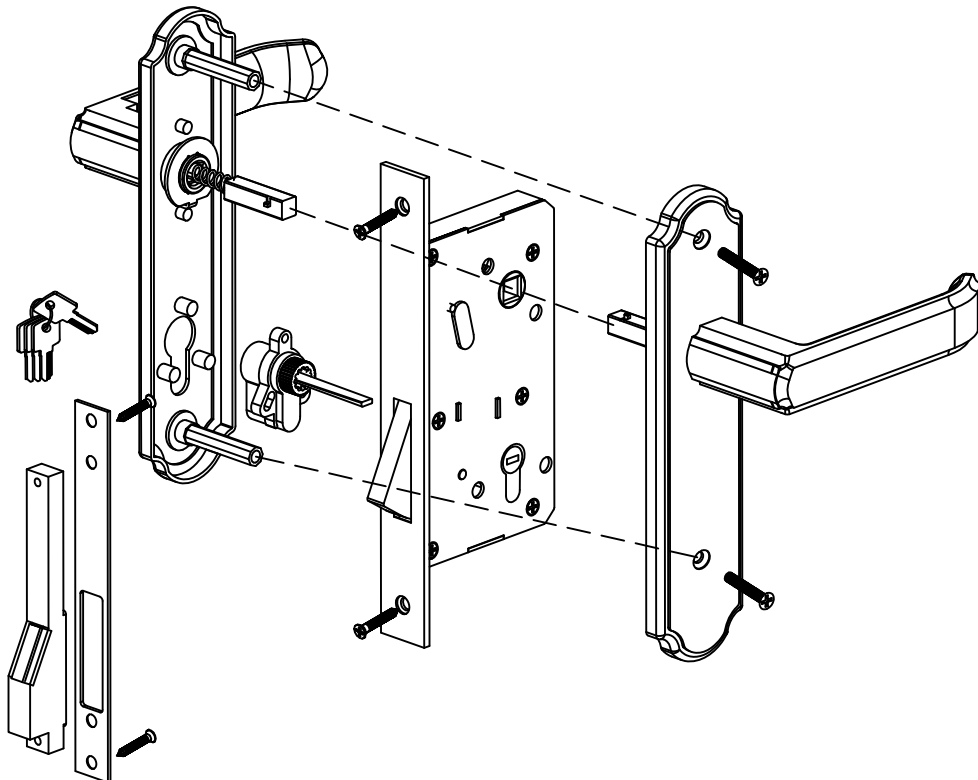
Non-handed design,  
plastic piston always assembled at the indoor side.

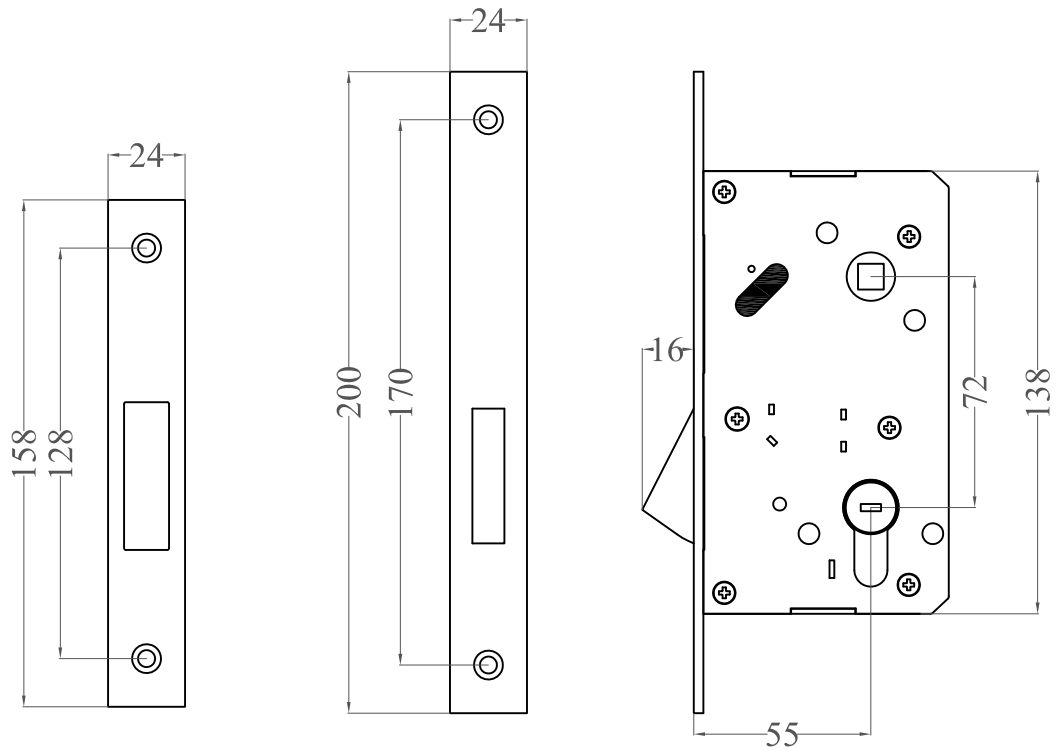


**Integrated Magnetic Lock**



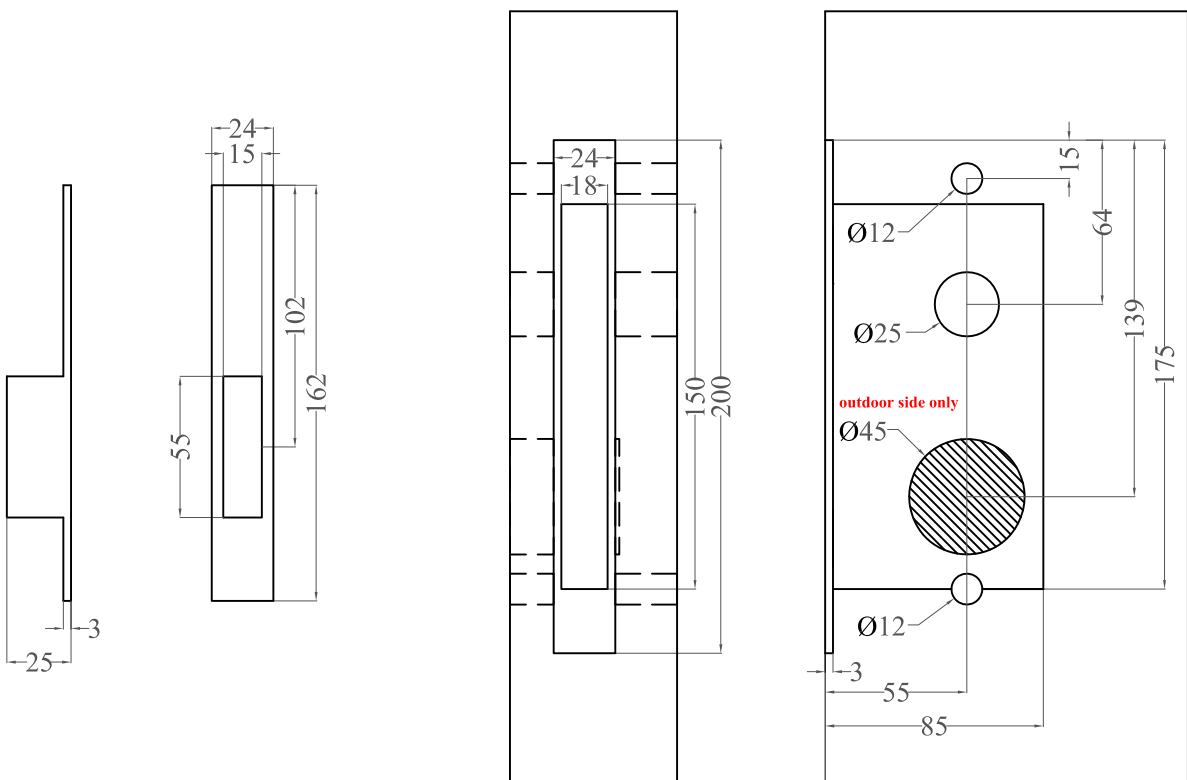
## INSTALLATION GUIDE





unit: mm

## NOTCH PREPARATION



DOOR JAMB

DOOR SIDE VIEW

DOOR FRONT VIEW