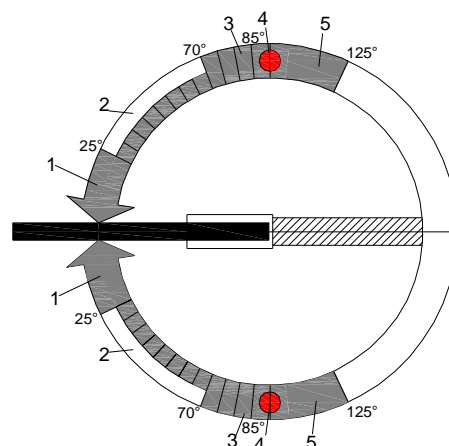
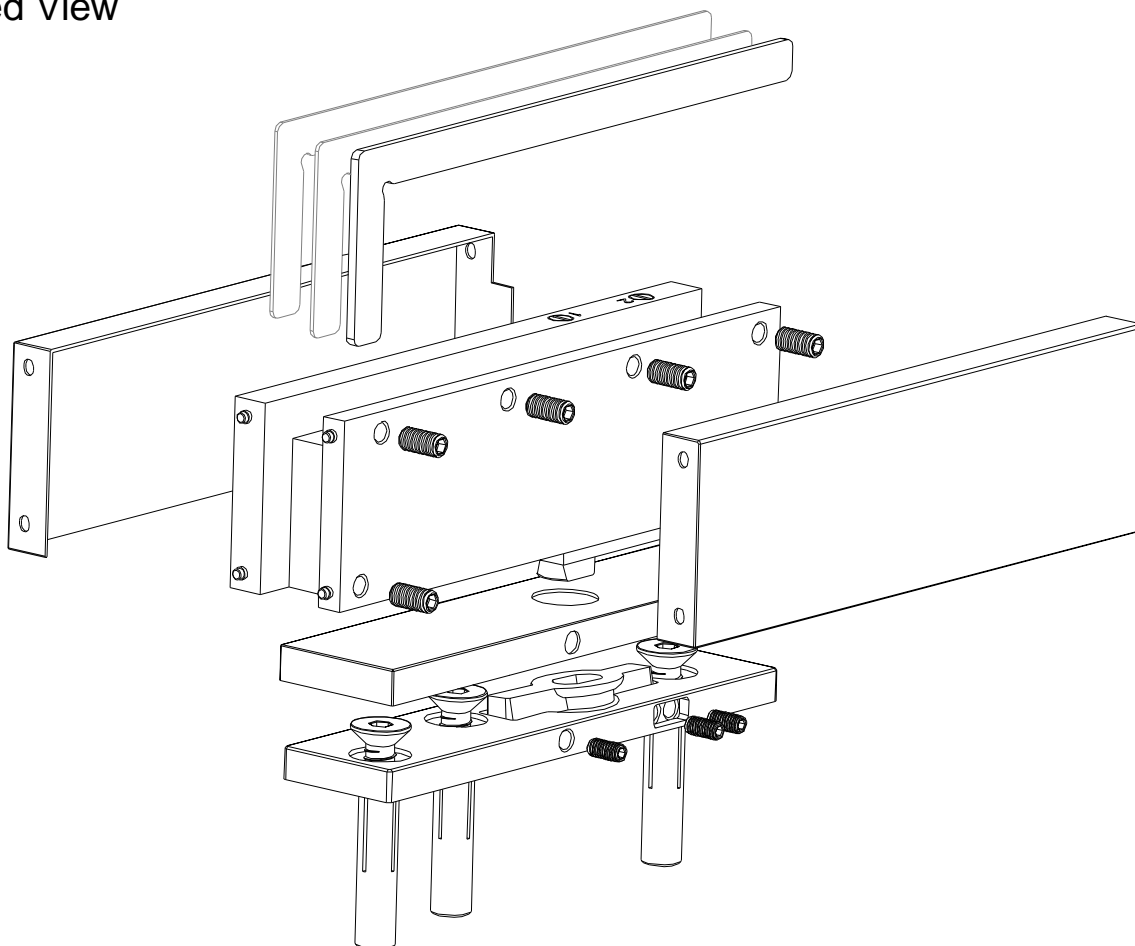


**APPLAUSE FLOOR HINGE
(FRAMELESS)**

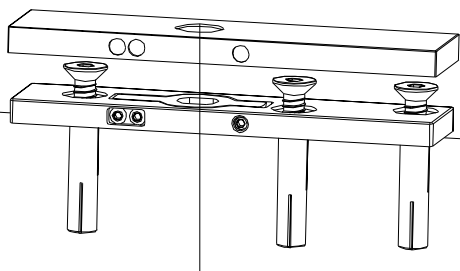


- 1. Closing range: 25°-0° (adjusted by valve 2)
- 2. Closing range: 70°-25° (adjusted by valve 1)
- 3. Closing range: 85°-70° (non-adjustable)
- 4. Hold-open : 90°
- 5. Open angle : 125° (maximum)

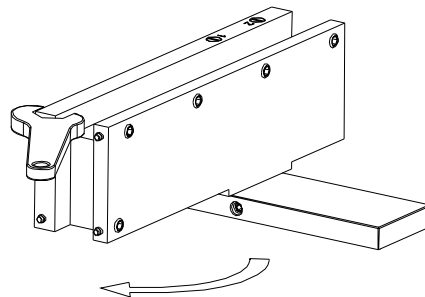
Exploded View



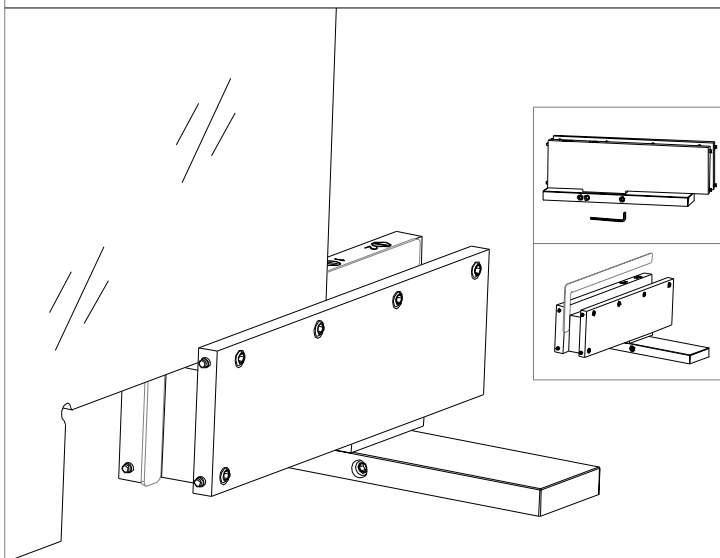
Installation Guide



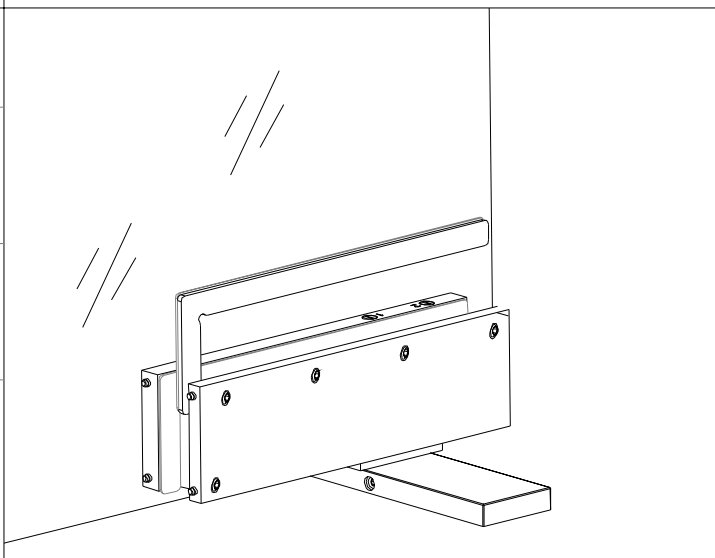
1. Determine the position of floor hinge to be installed and ensure the horizontal position of base seat. Install the cover plate after base seat is fixed.



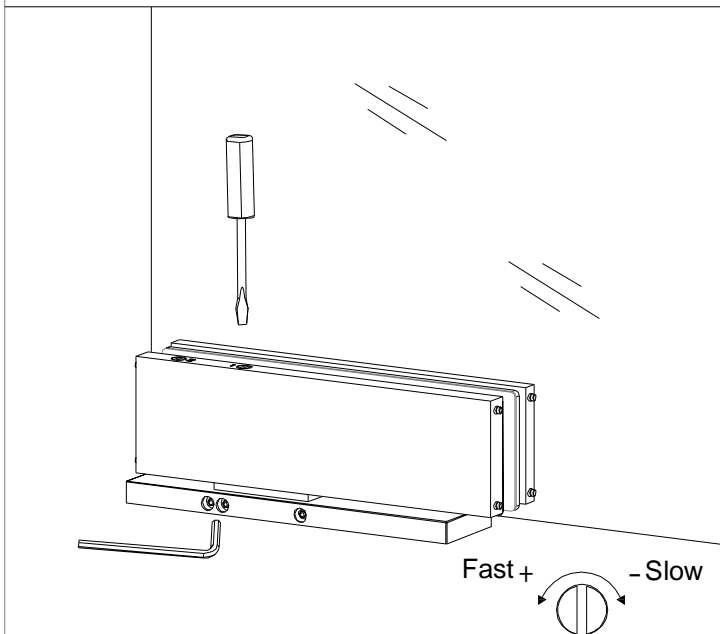
2. Untighten the set screws and make sure inner surface is flat before install. Turn the hinge to open position 90°.



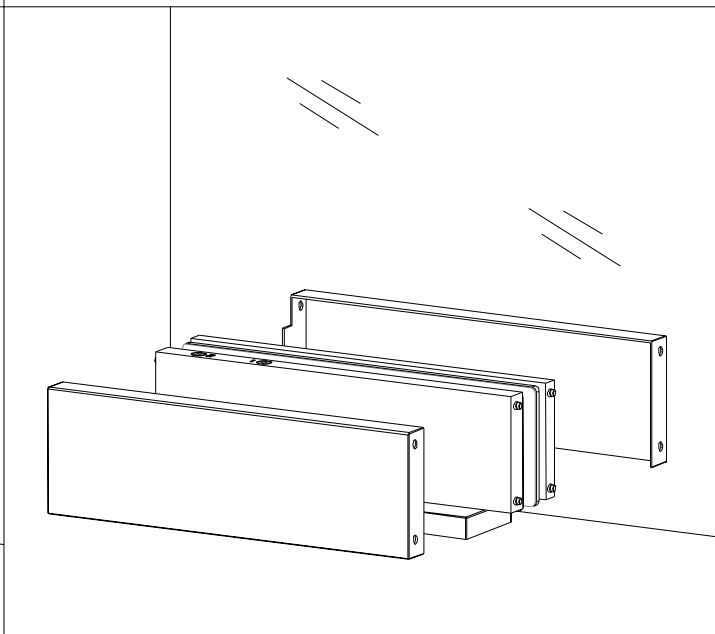
3. Fix the top patch onto door panel, insert the door onto hinge. At this step, the alignment screws on base seat should be loosen.



4. Insert gaskets and tightened the sets screws. Set screws should be mounted onto metal gasket directly.

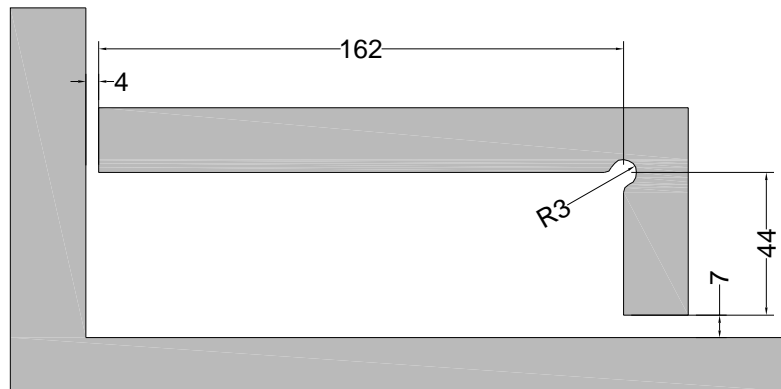


5. Ensure the alignment and adjust the required closing speed. (for detail, please refer to "Adjustment of Closing Speed")

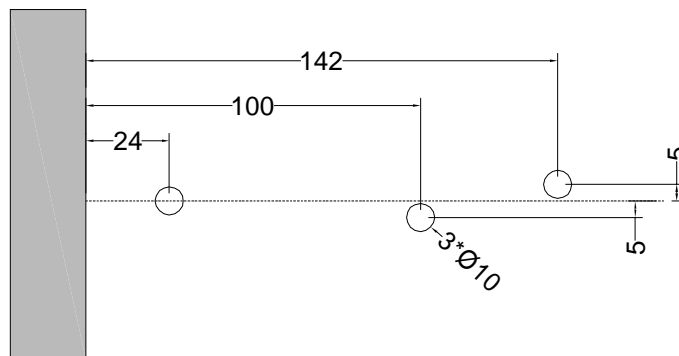


6. Fix the cover plates properly and installation is done.

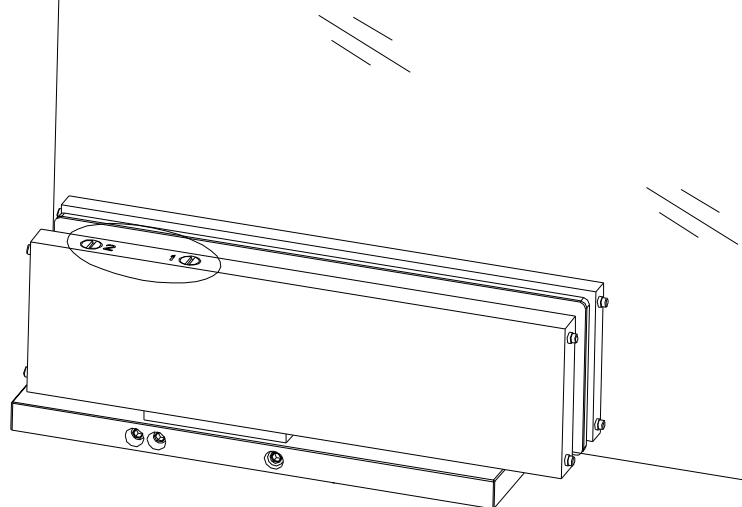
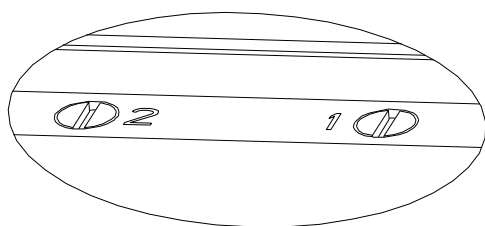
Notch Preparation on Door



Drilling Positions on Ground



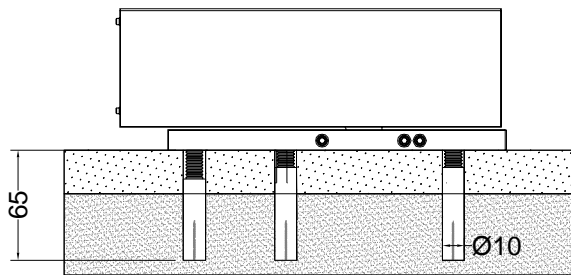
Adjustment of Closing Speed



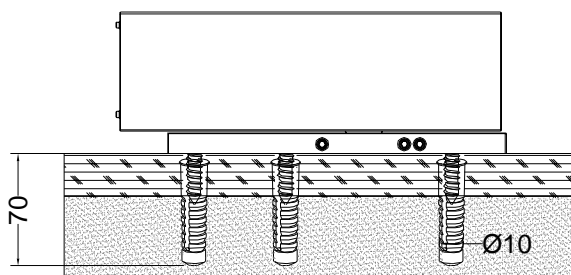
1/4 cycles is recommended for the range of adjustment each time.

Precaution: Be careful not to loosen off the adjustment screw too far as this will render the hinge inoperable. Warranties will also be void if screw is loosened too far.

Scenarios and Fixing Components



Scenario: concrete floor
Fixing components: expansion screws



Scenario: wood flooring
Fixing components: wood screws with anchors

Application of Gaskets

| Thickness of Door | 10mm | 12mm | 13.5mm |
|-------------------|-------|-------|--------|
| Gasket Use | 6 pcs | 4 pcs | 2 pcs |

Dimension Drawing

