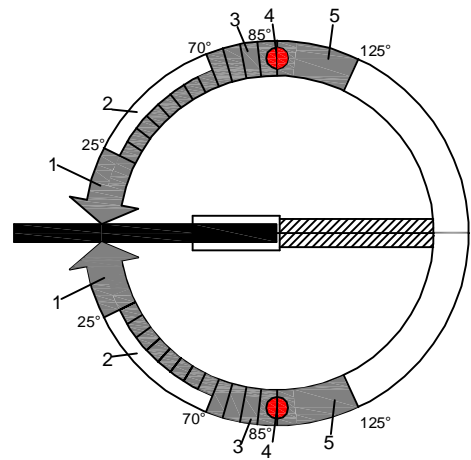


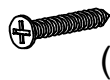
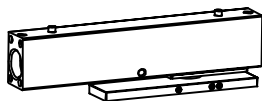
APPLAUSE FLOOR HINGE (SEMI-FRAMED)



1. Closing range: 25°-0° (adjusted by valve 2)
2. Closing range: 70°-25° (adjusted by valve 1)
3. Closing range: 85°-70° (non-adjustable)
4. Hold-open : 90°-125°
5. Open angle : 125° (maximum)

Bill of Material

TJ107E



(3)



(3)



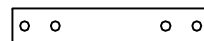
(1)



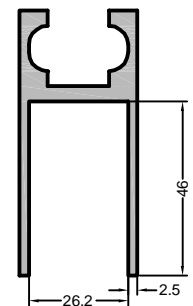
(3)



(1)

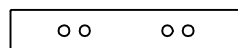
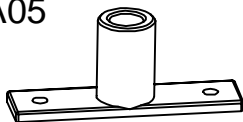


(1)



FOR TJ107E.80

TJA05



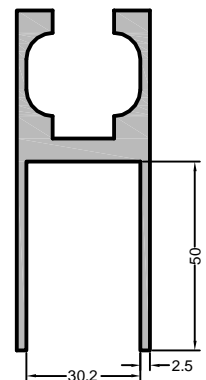
(1)



(2)



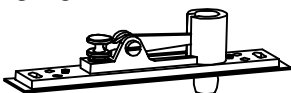
(2)



FOR TJ107E.100

DOOR RAIL
REQUIREMENT

TJA02B

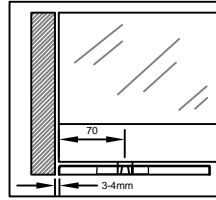
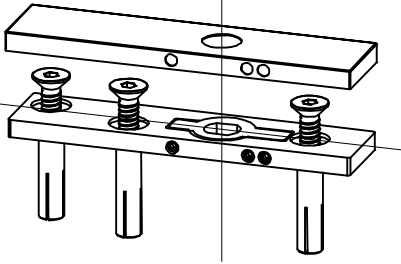


(6)

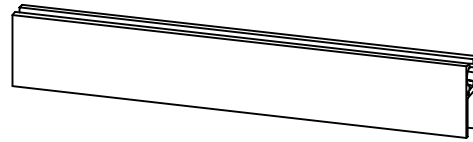


(2)

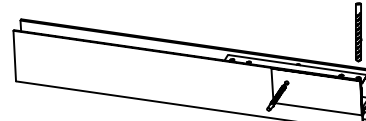
Installation Guide



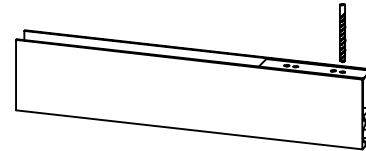
1. Determine the position of floor hinge to be installed and ensure the horizontal position of base seat. Install the cover plate after base seat is fixed.



Door Rail

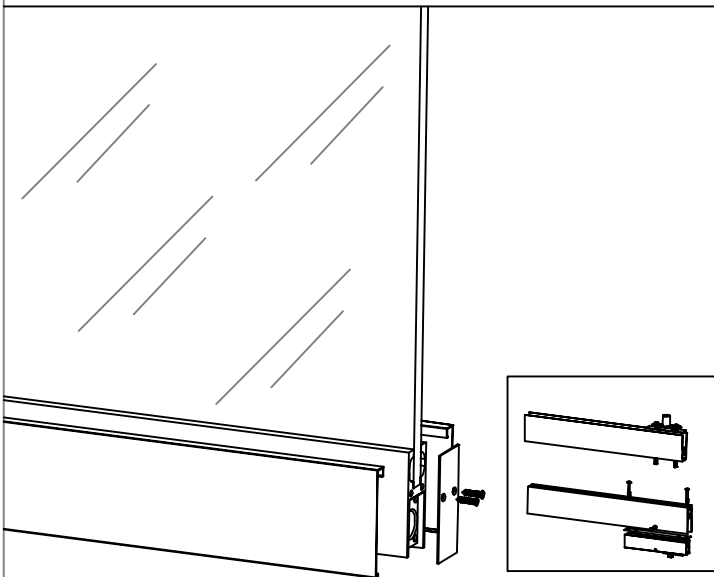


For Floor Hinge

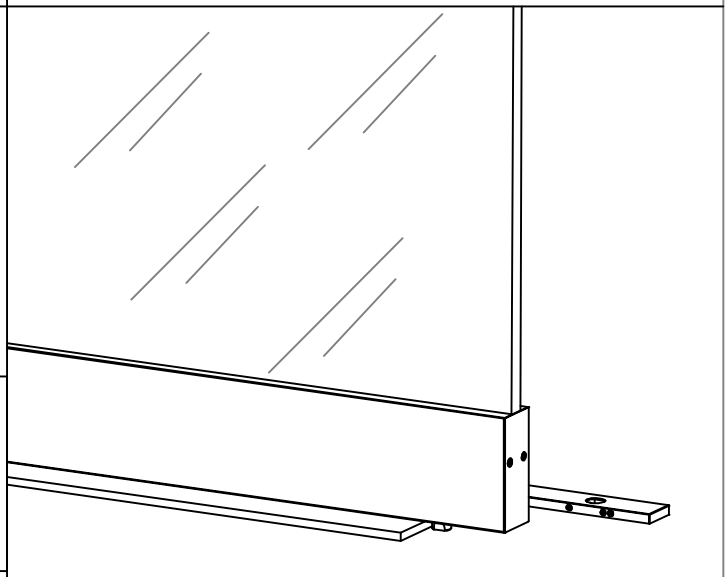


For Top Pivot

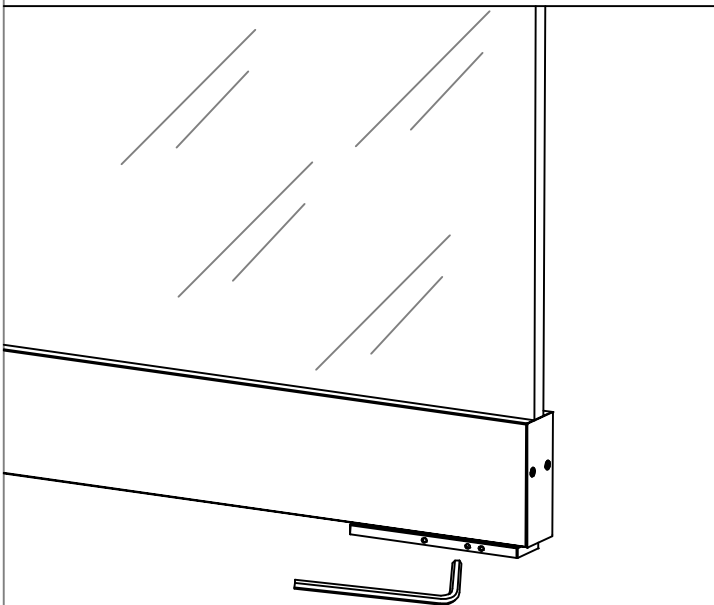
2. Trim the aluminum rails to proper length, prepare screw holes according to the templates provided.



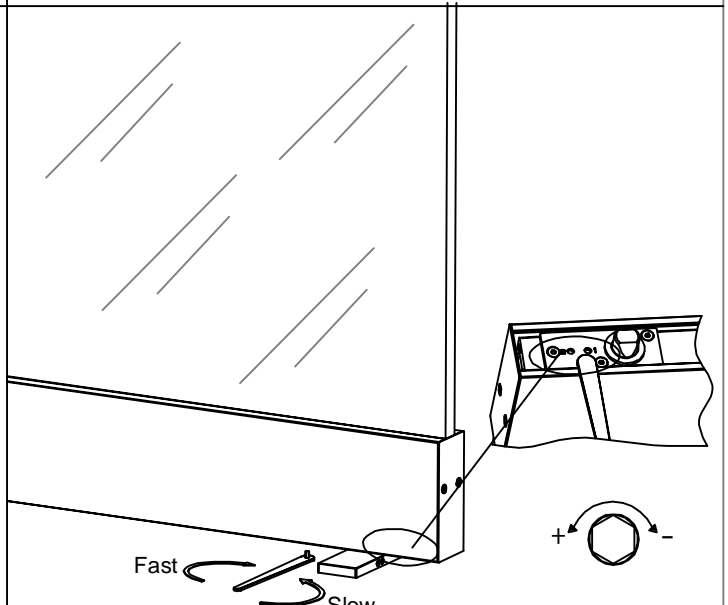
3. Fix the floor hinge and top pivot onto aluminum rails by machinery screws. Afterward, install the glass panel onto aluminum rails by silicon.



4. Install the floor hinge onto base seat and fix the top pivot with ceiling pivot. At this step, the setting screws on base seat should be loosen.



5. Ensure the alignment of door panel by adjusting the set screws on the base seat.



6. Adjust the required closing speed by allen key, and installation is done.