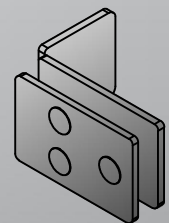
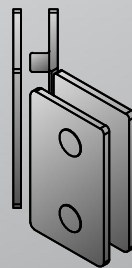
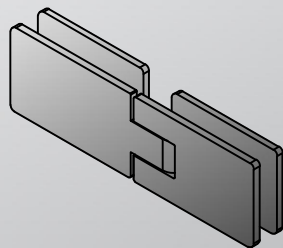
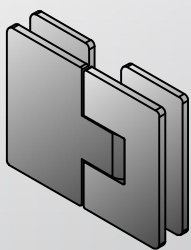


 BESTKO[®]



DESIRE SHOWER HINGE

SERIES 4

Desire, the ideal shower hinge.

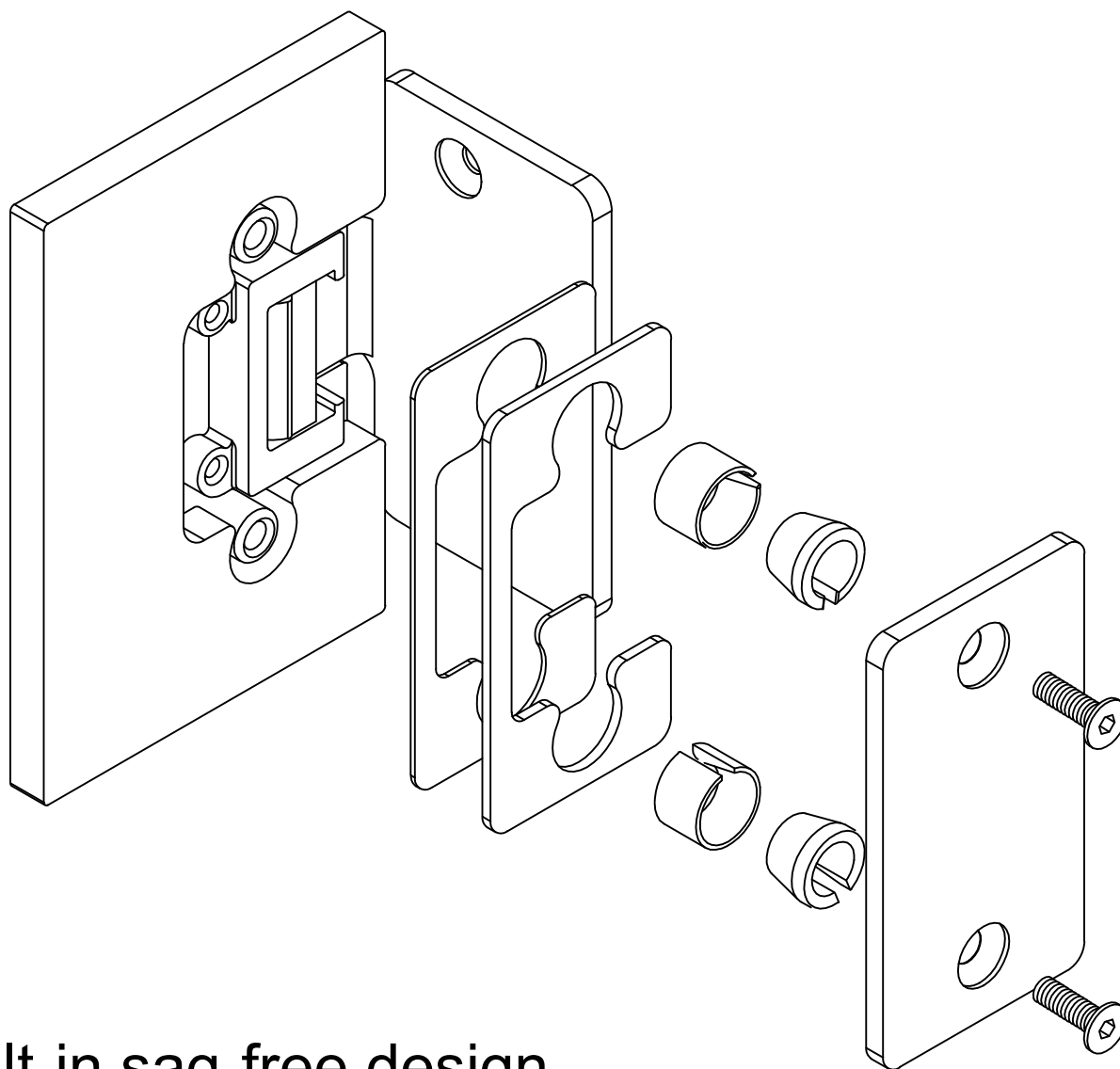
Shower enclosures fit neatly into bathrooms and ensuites creating a stylish and practical setting. The selection of shower hinge is important because it provides not only the function but with design as a whole.

Nowadays, those carrying slim design with great functionalities are highly welcomed, and the prior concern comes down to “the isolation of wet & dry areas”. This is due to:

- Safety concern; splatter of water during shower may cause slippery floor, increasing the risk of accidents.
- Maximizing the space efficiency, wet and dry areas can be used by different people at the same time.
- Keep the dry areas in good shape, prevent growing of mold and bacteria (especially on wooden furniture).
- Keep cleaning and maintenance simple and effortless.

With patent pending technology “Intact Seal”, **Desire Shower Hinge** allows complete vinyl seal to be installed, isolates wet and dry areas in ideal performance, satisfies requirements of EN14428. **Desire Shower Hinge** available in diversified functions and various designs, fulfill the complete requirements of modern shower enclosure.

Leak-proof; Efficient; Safe; Modern
Desire, your best choice!

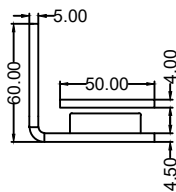
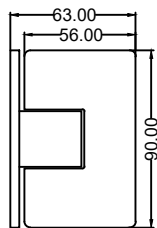
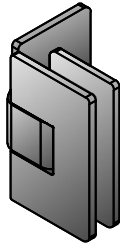


built-in sag-free design

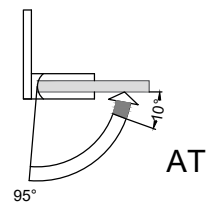
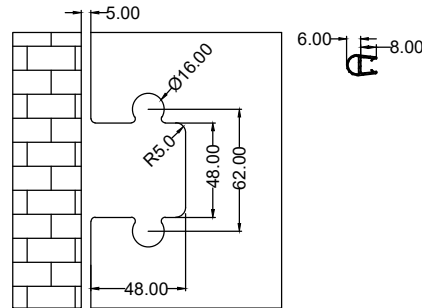
gasket	door thickness		
	8mm	10mm	12mm
1mm	2	0	2
2mm	2	2	0

AT411A

90° wall to glass fixing (offset)

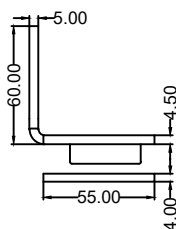
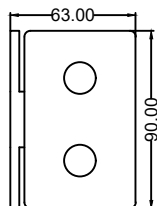
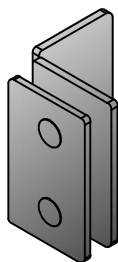


- Feature : single action, door is self-closed from 10°
- Innovation : allows complete seal installing
- Finish : polished / hairline
- Material : 304 stainless steel
- Suitable Area : tempered glass
- Door Thickness : 8-12mm
- Door Weight : ≤50kg (per pair)
- Door Width : ≤1000mm
- Door Height : ≤2400mm
- Durability : 100,000 cycles
- Standard : fulfill EN14428
- Remarks : pull out to open (from outside)

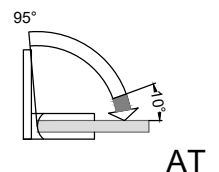
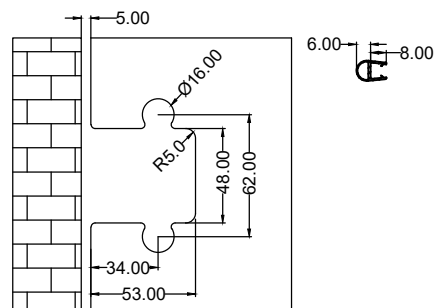


AT411B

90° wall to glass fixing (offset)

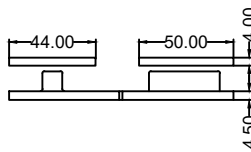
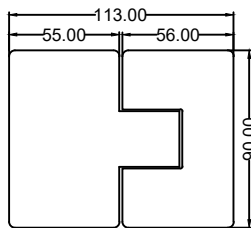
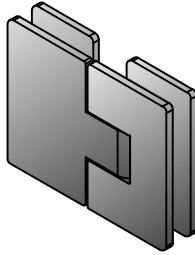


- Feature : single action, door is self-closed from 10°
- Innovation : allows complete seal installing
- Finish : polished / hairline
- Material : 304 stainless steel
- Suitable Area : tempered glass
- Door Thickness : 8-12mm
- Door Weight : ≤50kg (per pair)
- Door Width : ≤1000mm
- Door Height : ≤2400mm
- Durability : 100,000 cycles
- Standard : fulfill EN14428
- Remarks : push in to open (from outside)

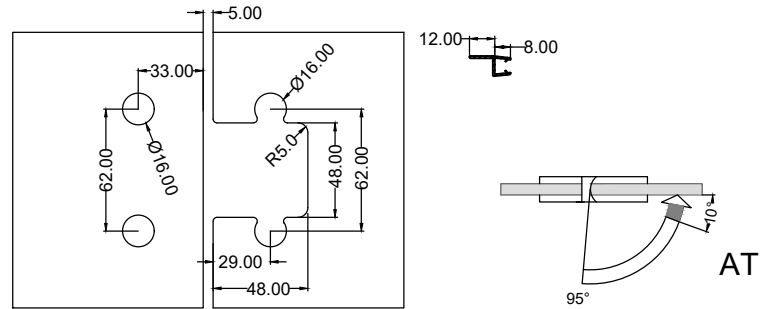


AT412A

180° glass to glass fixing

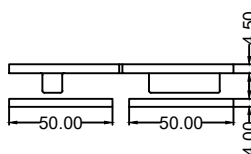
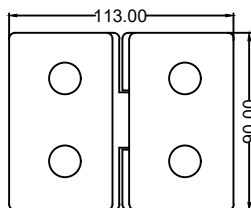
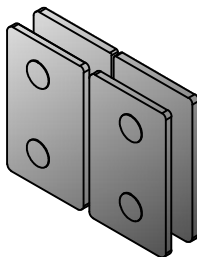


- Feature : single action, door is self-closed from 10°
- Innovation : allows complete seal installing
- Finish : polished / hairline
- Material : 304 stainless steel
- Suitable Area : tempered glass
- Door Thickness : 8-12mm
- Door Weight : ≤50kg (per pair)
- Door Width : ≤1000mm
- Door Height : ≤2400mm
- Durability : 100,000 cycles
- Standard : fulfill EN14428
- Remarks : pull out to open (from outside)

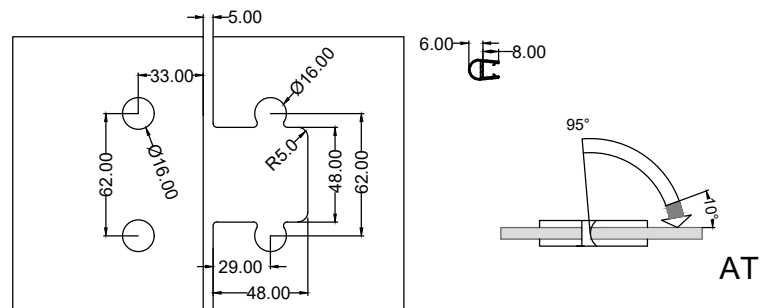


AT412B

180° glass to glass fixing

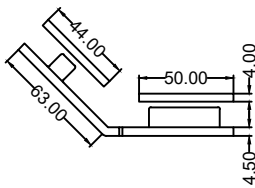
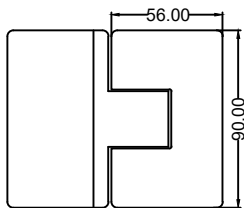
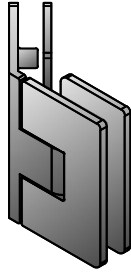


- Feature : single action, door is self-closed from 10°
- Innovation : allows complete seal installing
- Finish : polished / hairline
- Material : 304 stainless steel
- Suitable Area : tempered glass
- Door Thickness : 8-12mm
- Door Weight : ≤50kg (per pair)
- Door Width : ≤1000mm
- Door Height : ≤2400mm
- Durability : 100,000 cycles
- Standard : fulfill EN14428
- Remarks : push in to open (from outside)

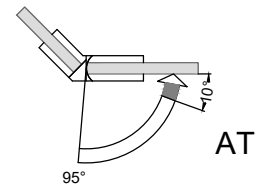
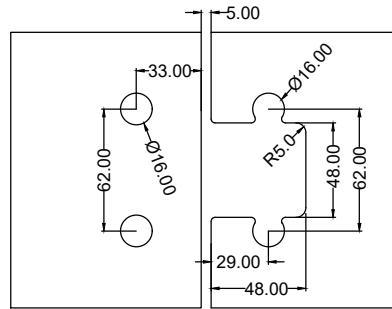


AT413A

135° glass to glass fixing

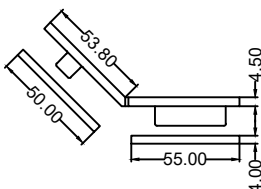
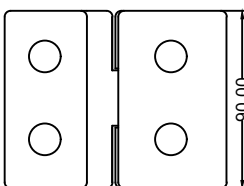
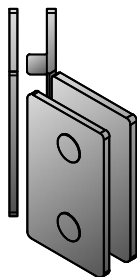


- Feature : single action, door is self-closed from 10°
- Innovation : allows complete seal installing
- Finish : polished / hairline
- Material : 304 stainless steel
- Suitable Area : tempered glass
- Door Thickness : 8-12mm
- Door Weight : ≤50kg (per pair)
- Door Width : ≤1000mm
- Door Height : ≤2400mm
- Durability : 100,000 cycles
- Standard : fulfill EN14428
- Remarks : pull out to open (from outside)

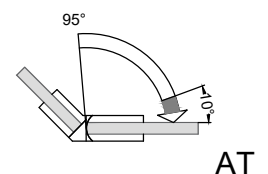
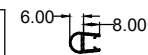
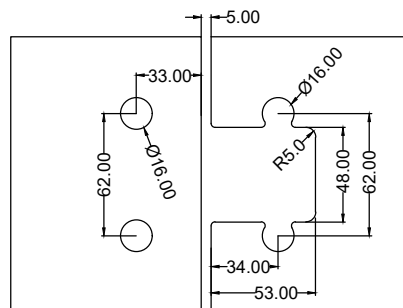


AT413B

135° glass to glass fixing



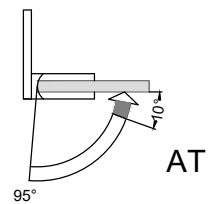
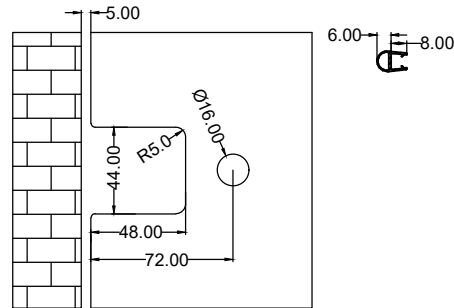
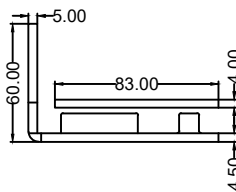
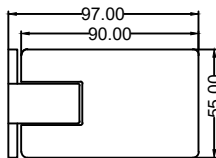
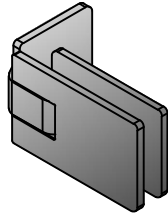
- Feature : single action, door is self-closed from 10°
- Innovation : allows complete seal installing
- Finish : polished / hairline
- Material : 304 stainless steel
- Suitable Area : tempered glass
- Door Thickness : 8-12mm
- Door Weight : ≤50kg (per pair)
- Door Width : ≤1000mm
- Door Height : ≤2400mm
- Durability : 100,000 cycles
- Standard : fulfill EN14428
- Remarks : push in to open (from outside)



AT421A

90° wall to glass fixing (offset)

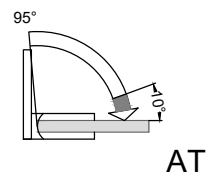
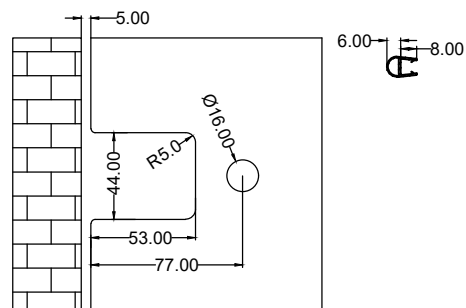
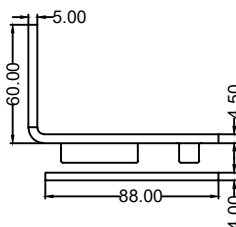
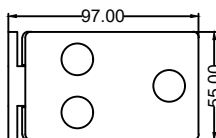
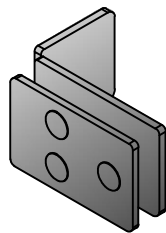
- Feature : single action, door is self-closed from 10°
- Innovation : allows complete seal installing
- Finish : polished / hairline
- Material : 304 stainless steel
- Suitable Area : tempered glass
- Door Thickness : 8-12mm
- Door Weight : ≤50kg (per pair)
- Door Width : ≤1000mm
- Door Height : ≤2400mm
- Durability : 100,000 cycles
- Standard : fulfill EN14428
- Remarks : pull out to open (from outside)



AT421B

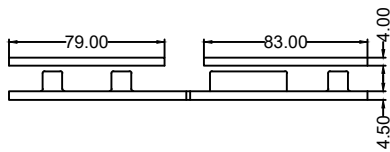
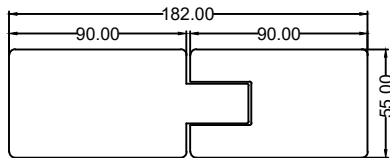
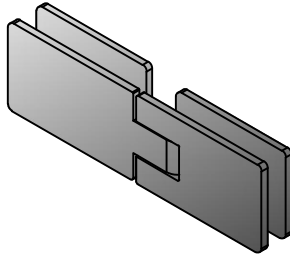
90° wall to glass fixing (offset)

- Feature : single action, door is self-closed from 10°
- Innovation : allows complete seal installing
- Finish : polished / hairline
- Material : 304 stainless steel
- Suitable Area : tempered glass
- Door Thickness : 8-12mm
- Door Weight : ≤50kg (per pair)
- Door Width : ≤1000mm
- Door Height : ≤2400mm
- Durability : 100,000 cycles
- Standard : fulfill EN14428
- Remarks : push in to open (from outside)

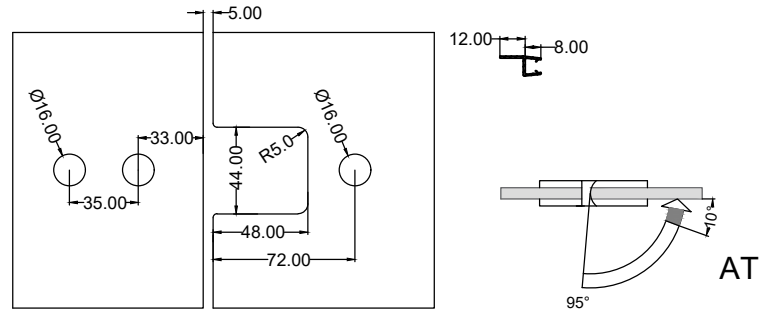


AT422A

180° glass to glass fixing

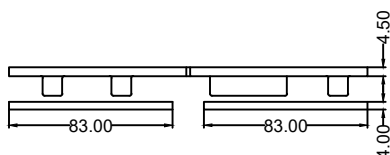
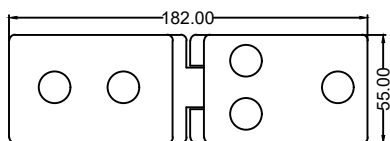
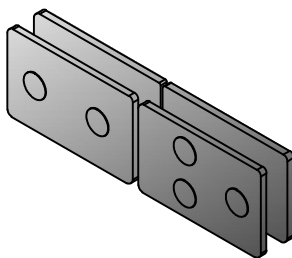


- Feature : single action, door is self-closed from 10°
- Innovation : allows complete seal installing
- Finish : polished / hairline
- Material : 304 stainless steel
- Suitable Area : tempered glass
- Door Thickness : 8-12mm
- Door Weight : ≤50kg (per pair)
- Door Width : ≤1000mm
- Door Height : ≤2400mm
- Durability : 100,000 cycles
- Standard : fulfill EN14428
- Remarks : pull out to open (from outside)

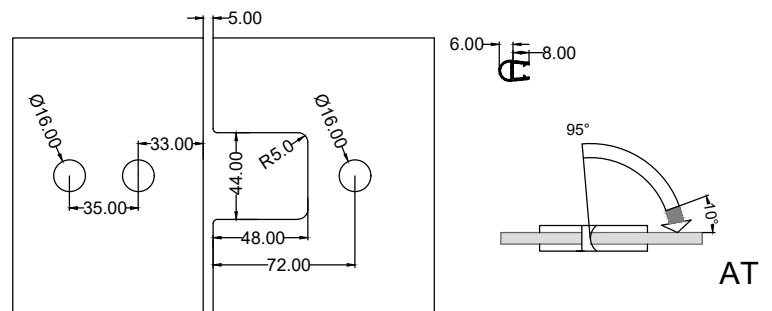


AT422B

180° glass to glass fixing



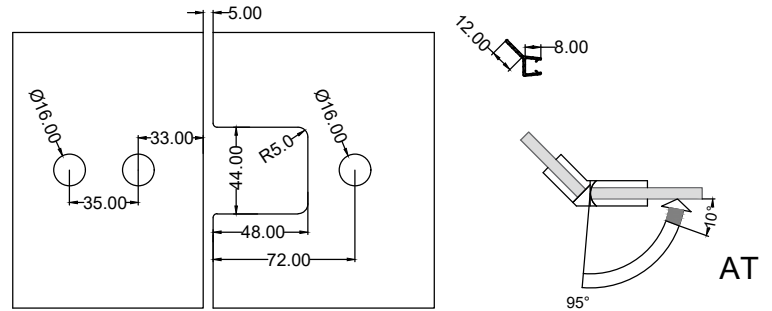
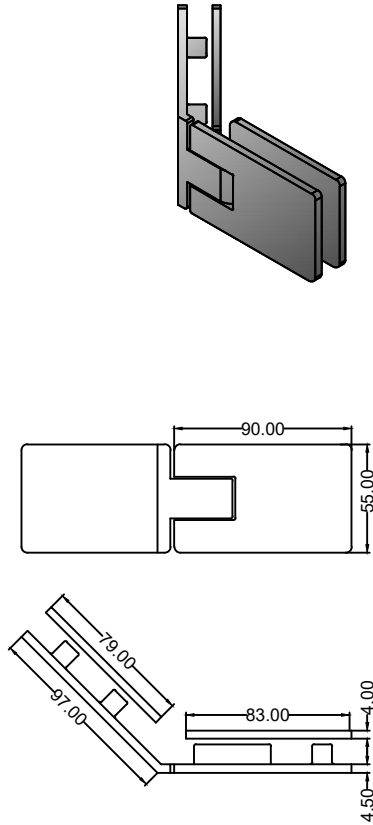
- Feature : single action, door is self-closed from 10°
- Innovation : allows complete seal installing
- Finish : polished / hairline
- Material : 304 stainless steel
- Suitable Area : tempered glass
- Door Thickness : 8-12mm
- Door Weight : ≤50kg (per pair)
- Door Width : ≤1000mm
- Door Height : ≤2400mm
- Durability : 100,000 cycles
- Standard : fulfill EN14428
- Remarks : push in to open (from outside)



AT423A

135° glass to glass fixing

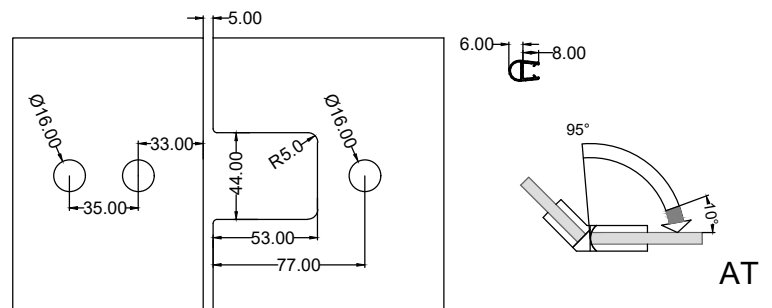
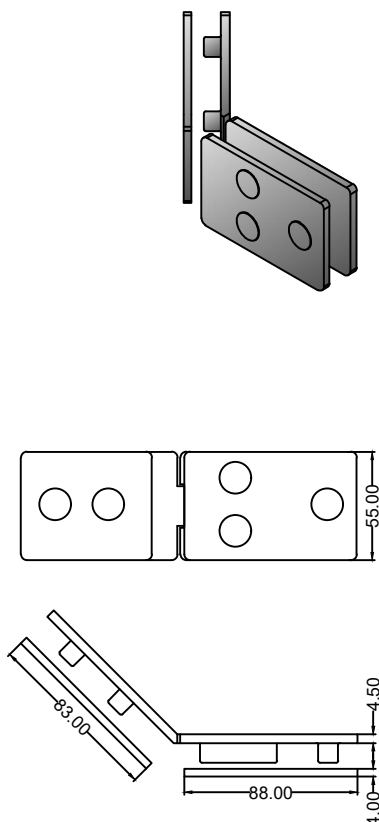
- Feature : single action, door is self-closed from 10°
- Innovation : allows complete seal installing
- Finish : polished / hairline
- Material : 304 stainless steel
- Suitable Area : tempered glass
- Door Thickness : 8-12mm
- Door Weight : ≤50kg (per pair)
- Door Width : ≤1000mm
- Door Height : ≤2400mm
- Durability : 100,000 cycles
- Standard : fulfill EN14428
- Remarks : pull out to open (from outside)



AT423B

135° glass to glass fixing

- Feature : single action, door is self-closed from 10°
- Innovation : allows complete seal installing
- Finish : polished / hairline
- Material : 304 stainless steel
- Suitable Area : tempered glass
- Door Thickness : 8-12mm
- Door Weight : ≤50kg (per pair)
- Door Width : ≤1000mm
- Door Height : ≤2400mm
- Durability : 100,000 cycles
- Standard : fulfill EN14428
- Remarks : push in to open (from outside)





HONG KONG

A: Unit 520, Metro Centre 2,
21 Lam Hing Street, Kowloon Bay

T: (852) 27578196

F: (852) 27956151

E: info@bestko.com

W: www.bestko.com