

CORE PRODUCTS

APPLAUSE FLOOR HINGE



EN1154:1996/A1:2002/AC:2006

3 8 3 0 1 0

Stop digging the earth by using APPLAUSE FLOOR HINGES.



Hinge Photo	Application	Model No.
	FRAMELESS GLASS DOOR	TJ109E.80
		TJ109E.100
	SEMI-FRAMED GLASS DOOR	TJ107E.80
		TJ107E.100
	WOODEN DOOR	TJ108E.80
		TJ108E.100



Keep using the same closer when relocating.



Dig less, save the earth.

Model: TJ109E.80

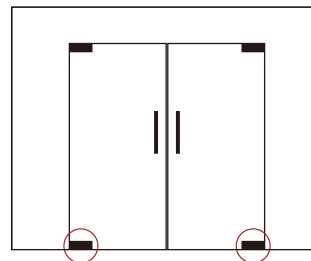
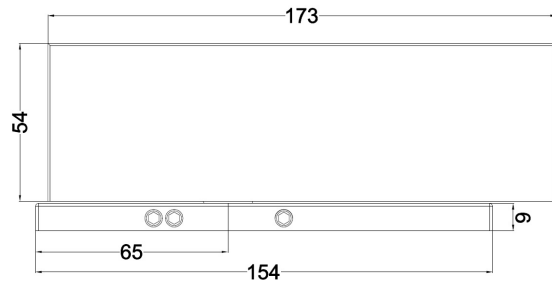


Product **APPLAUSE Floor Hinge (with damping function)**

Material **Steel Casted Body with Stainless Steel Cover**

Finish **Hairline**

Country of Origin **People's Republic of China**



Unit : piece

Features

Floor mounted by surface fixing (non-excavating)

Reduce time and cost taken by installation

Suitable for 10-13.5mm tempered glass use

Maximum door leaf weight: 80kg

Maximum door leaf width: 850mm

Self-closing when door is closed to 85°

Double action, maximum door open angle: 125°

Hold-open at door open angle 90°

Valve adjustment available for closing speed control

Self-positioned when door reaches to initial position

BESTKO BEST TO YOU

url: www.bestko.com

Model: TJ109E.100

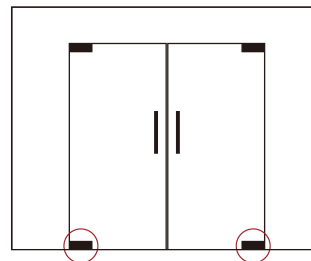
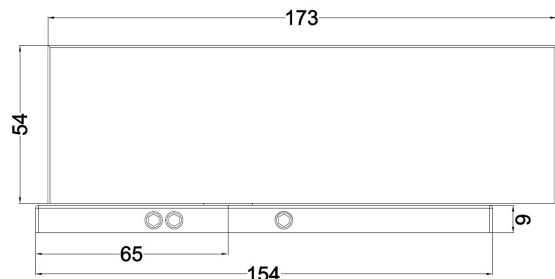


Product **APPLAUSE Floor Hinge (with damping function)**

Material **Steel Casted Body with Stainless Steel Cover**

Finish **Hairline**

Country of Origin **People's Republic of China**



Unit : piece

Features

Floor mounted by surface fixing (non-excavating)

Reduce time and cost taken by installation

Suitable for 10-13.5mm tempered glass use

Maximum door leaf weight: 100kg

Maximum door leaf width: 1050mm

Self-closing when door is closed to 85°

Double action, maximum door open angle: 125°

Hold-open at door open angle 90°

Valve adjustment available for closing speed control

Self-positioned when door reaches to initial position

BESTKO BEST TO YOU

url: www.bestko.com

Model: TJ107E.80

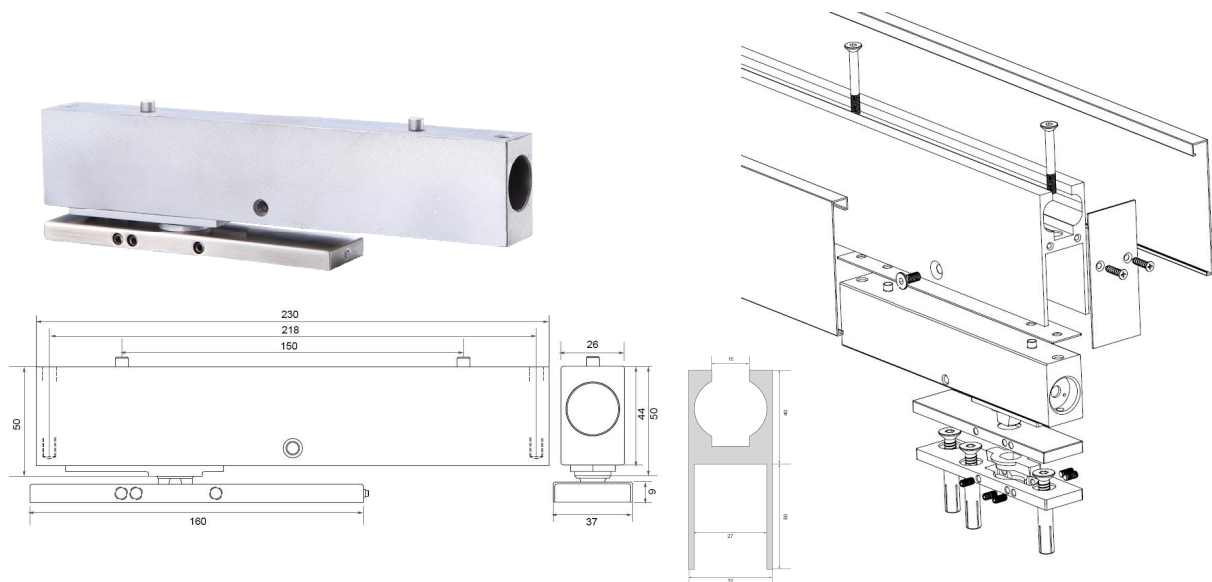


Product **APPLAUSE Floor Hinge (with damping function)**

Material **Steel**

Finish **Enamel Baked**

Country of Origin **People's Republic of China**



Unit : piece

Features

Floor mounted by surface fixing (non-excavating)

Reduce time and cost taken by installation

Use with glass door rail (semi-framed glass door)

Maximum door leaf weight: 80kg

Maximum door leaf width: 850mm

Self-closing when door is closed to 85°

Double action, maximum door open angle: 125°

Hold-open at door open angle 90°-125°

Valve adjustment available for closing speed control

Self-positioned when door reaches to initial position

BESTKO BEST TO YOU

url: www.bestko.com

Model: TJ107E.100

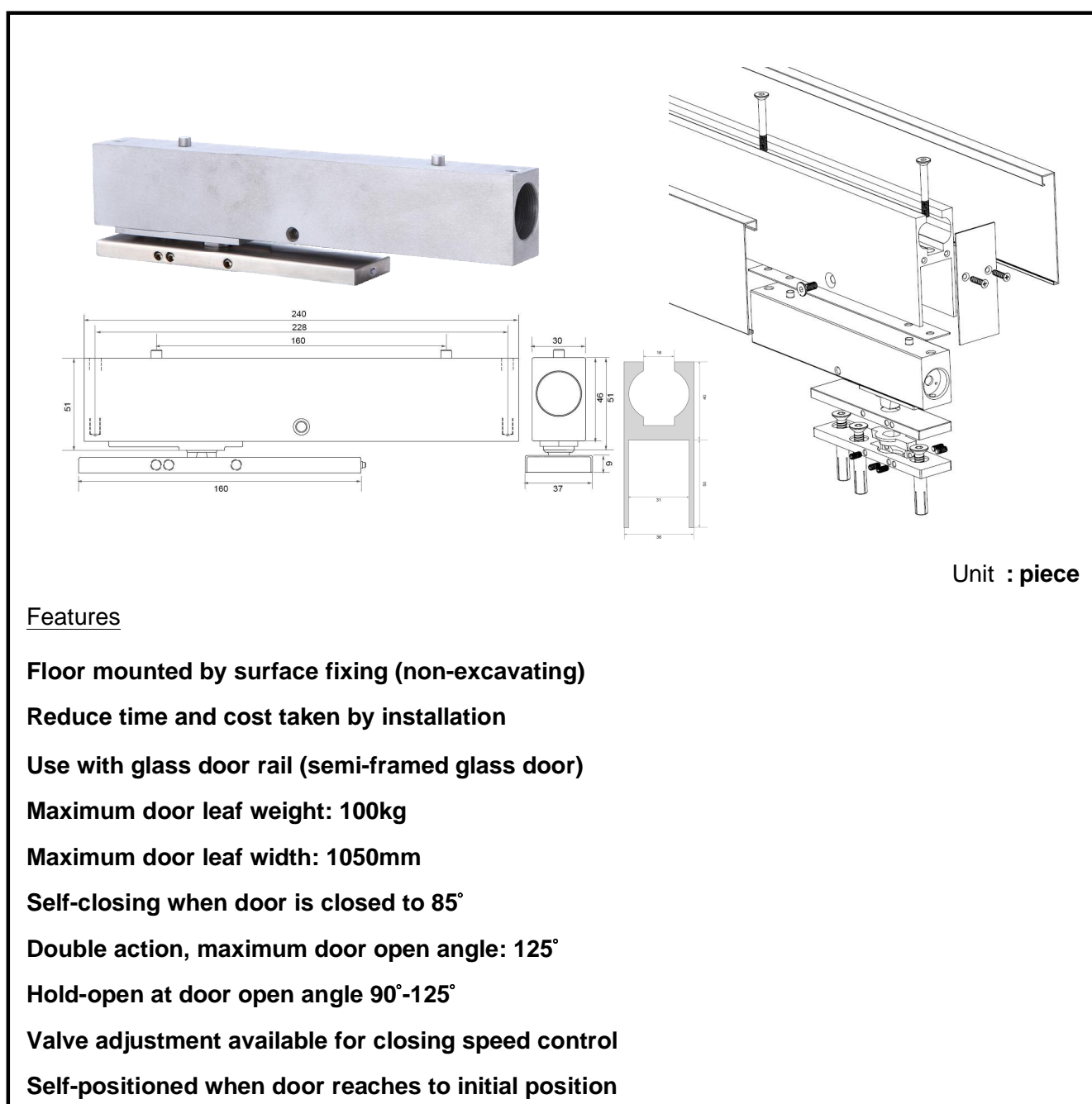


Product **APPLAUSE Floor Hinge (with damping function)**

Material **Steel**

Finish **Enamel Baked**

Country of Origin **People's Republic of China**



Features

Floor mounted by surface fixing (non-excavating)

Reduce time and cost taken by installation

Use with glass door rail (semi-framed glass door)

Maximum door leaf weight: 100kg

Maximum door leaf width: 1050mm

Self-closing when door is closed to 85°

Double action, maximum door open angle: 125°

Hold-open at door open angle 90°-125°

Valve adjustment available for closing speed control

Self-positioned when door reaches to initial position

BESTKO BEST TO YOU

url: www.bestko.com

Model: TJ108E.80

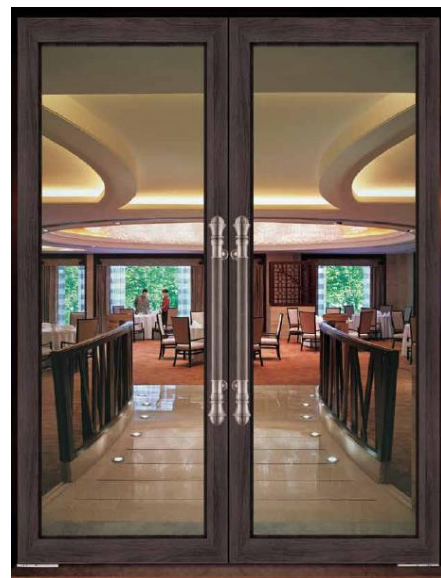
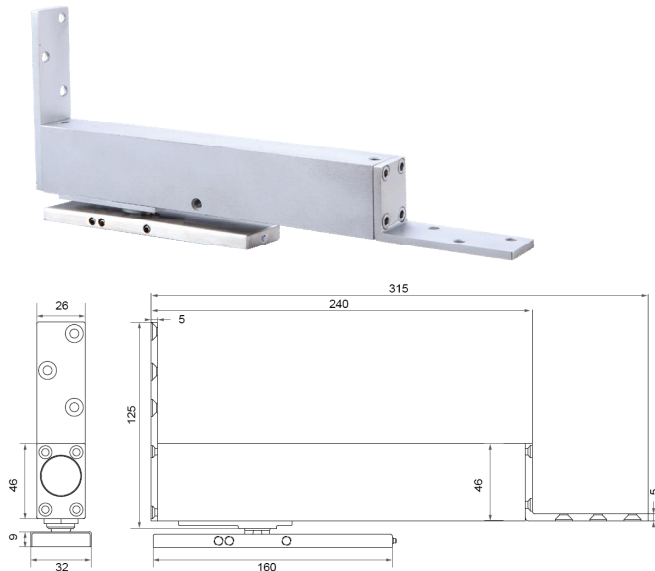


Product **APPLAUSE Floor Hinge (with damping function)**

Material **Steel**

Finish **Enamel Baked**

Country of Origin **People's Republic of China**



Unit : piece

Features

Floor mounted by surface fixing (non-excavating)

Reduce time and cost taken by installation

Suitable for wooden door with thickness 36mm & up

Maximum door leaf weight: 80kg

Maximum door leaf width: 850mm

Self-closing when door is closed to 85°

Double action, maximum door open angle: 125°

Hold-open at door open angle 90°-125°

Valve adjustment available for closing speed control

Self-positioned when door reaches to initial position

BESTKO BEST TO YOU

url: www.bestko.com

Model: TJ108E.100

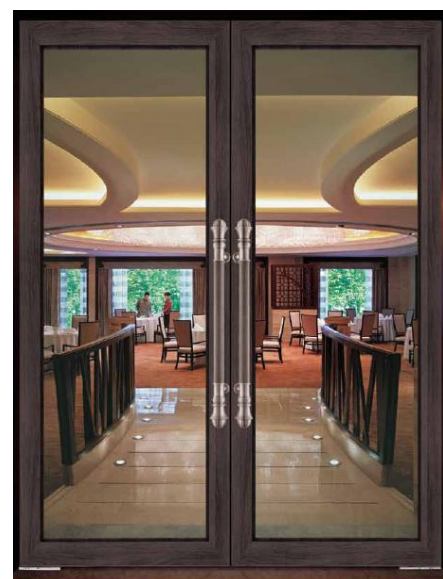
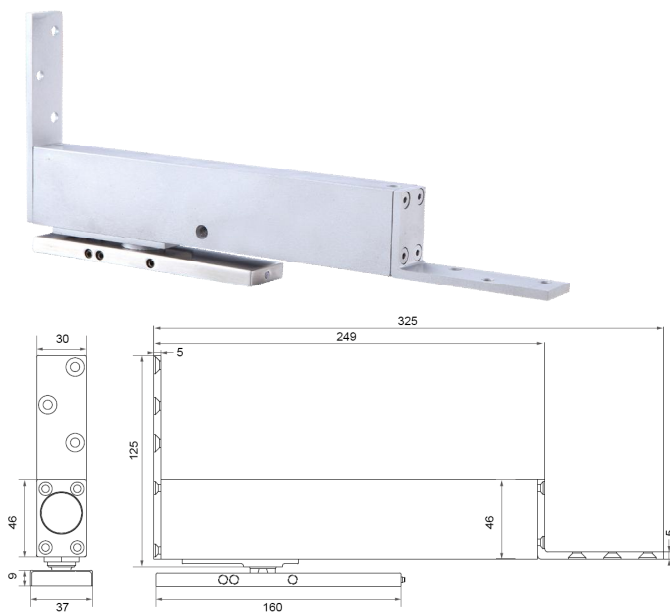


Product **APPLAUSE Floor Hinge (with damping function)**

Material **Steel**

Finish **Enamel Baked**

Country of Origin **People's Republic of China**



Unit : piece

Features

Floor mounted by surface fixing (non-excavating)

Reduce time and cost taken by installation

Suitable for wooden door with thickness 40mm & up

Maximum door leaf weight: 100kg

Maximum door leaf width: 1050mm

Self-closing when door is closed to 85°

Double action, maximum door open angle: 125°

Hold-open at door open angle 90°-125°

Valve adjustment available for closing speed control

Self-positioned when door reaches to initial position

BESTKO BEST TO YOU

url: www.bestko.com